



# Installation manual

## Low sound enclosure



EKLN140A1

## Table of Contents

1	About this documentation .....	2
1.1	About this document.....	2
2	About the box.....	2
2.1	Parts.....	2
2.2	Accessories .....	2
3	About the unit and options .....	3
3.1	Possible combinations.....	3
3.2	Possible options .....	3
4	Installing the unit.....	3
4.1	Preparing the installation location .....	3
4.2	Fitting the enclosure.....	3
4.3	Wiring .....	5
4.4	Securing the heat pump .....	6
4.5	Installing the slats.....	6
4.6	Installing the panels and recirculation seal.....	8
4.7	Configuration .....	9
4.8	Maintenance.....	9

## 1 About this documentation

### 1.1 About this document

Latest revisions of the supplied documentation may be available on the regional Daikin website or via your dealer.

The original documentation is written in English. All other languages are translations.

#### Target audience

Authorised installers

#### Technical data

- Some of the most recent technical data are available on the regional Daikin website (publicly accessible).
- The complete set of the most recent technical data are available on the Daikin Business Portal (authentication required).

## 2 About the box



#### NOTE

Before commencing work, check the packaging and parts for damage and ensure that the shipment is complete.



#### NOTE

All plate work parts are protected with protective film. Remove the protective film from a part only when you are about to install it.

## 2.1 Parts


The box contains the following parts:

- Base frame profile, front (1x)
- Base frame profile, rear (1x)
- Base frame profile, left (1x)
- Base frame profile, right (1x)
- Base frame corner brackets (4x)
- Base frame sealing pad (3x)
- Support beam, front (1x)
- Support beam, rear (1x)
- Support partition, upper (1x)
- Support partition, lower (1x)
- Vibration dampers (4x)
- Rounded rubber (1 m)
- Support frame sealing pad (1x)
- Vertical support, left (2x)
- Vertical support, right (2x)
- Lower slat (2x)
- Intermediate slat (8x)
- Upper slat (2x)
- Top panel (1x)
- Side panel, left (1x)
- Side panel, right (1x)
- Sealing strips

## 2.2 Accessories

The box contains the following accessories:

Accessories <sup>(1)</sup>	Illustration	Description
A		Self-tapping bolt M5x16
B		Washer M5 nylon DIN 125 - 1 A
C		Sealing tape 20 mm
D		Nylon plug 8x40
E		Coach bolt 6x50
F		Sheet-metal washer M6x20
G		Round spacer cap
H		Spring washer M8
I		Nut M8
J		Sheet-metal washer M8x30
K		Rounded finishing profile, small
L		U-shaped finishing profile
M		Guide pin Ø8x25 M5
N		Spacer bush 15x3
O		Spacer bush 12x7
P		D-rubber sponge, self-adhesive
Q		Cage nut M5

R		Key
---	---	-----

<sup>(1)</sup> This manual refers to each part with a specific letter from A to R.

### 3 About the unit and options

#### 3.1 Possible combinations

Unit	Low sound enclosure <sup>(1)</sup>
RZAG71/100/125/140N7*	O
RZA200/250D7Y1B	O
RXYSA4/5/6A7*	O

<sup>(1)</sup> O = Optional

#### 3.2 Possible options

##### Drain pan and heater tape

To evacuate drain water.

- Drain pan (EKLN140-DP)
- Heater tape (EKLN140-DPHT)

### 4 Installing the unit



#### WARNING

Installation must be carried out by an authorised installer. Two people are required to install the low sound enclosure.



#### WARNING

The parts may have sharp edges. Wear cut-resistant work gloves during installation.

#### 4.1 Preparing the installation location

##### Requirements relating to the installation location of the outdoor unit

Ensure a horizontal, level, and stable base (concrete, paving, wooden frame). There must be a minimum clearance of 1 m on all sides of the frame.

##### Tools

The unit can be installed using common tools:

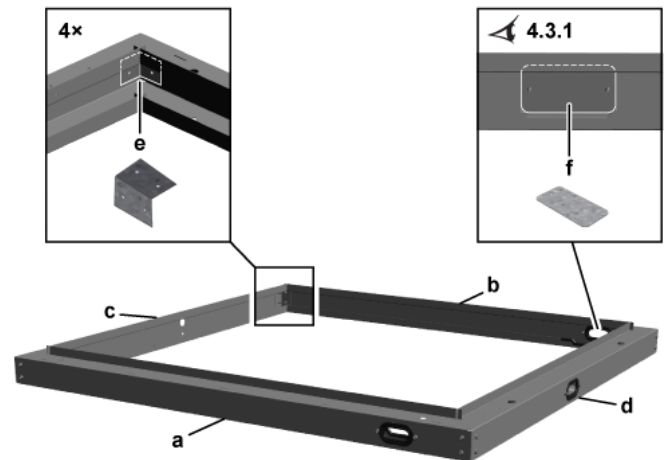
- Cut-resistant work gloves
- Wire cutters
- Utility knife
- Measuring tape
- Try square
- Degreaser
- Screwdriver, torx TXP25
- (Pipe) wrench size 10
- Key size 13
- Drill with 8 mm masonry bit (if the foundation is made of concrete)

### 4.2 Fitting the enclosure

#### 4.2.1 Installing the base frame

##### Parts

Start by installing the base frame, which comprises the following parts:



- a Base frame profile, front
- b Base frame profile, rear
- c Base frame profile, left
- d Base frame profile, right
- e Corner brackets for base frame
- f Base frame sealing pad

##### Install the base frame

The base frame comprises 4 straight pieces (a-d) and 4 corners (e). The 4 straight pieces have recesses at the ends to allow them to slot together.

1. Tilt the corner brackets into the corners.
2. Secure the corners with M5 self-tapping bolts (accessory A) and washers (accessory B).



#### NOTE

Tighten them hand-tight (maximum tightening torque = 5 Nm).

3. Affix 1 strip of sealing tape (accessory C) to the base. Affix this in the center of the profile. Interrupt the rubber at the drainage holes (2x).



a Sealing tape (accessory C)

4. Align the base frame perpendicular – a large try square would be most appropriate for this. The corners must be fully perpendicular (90°).

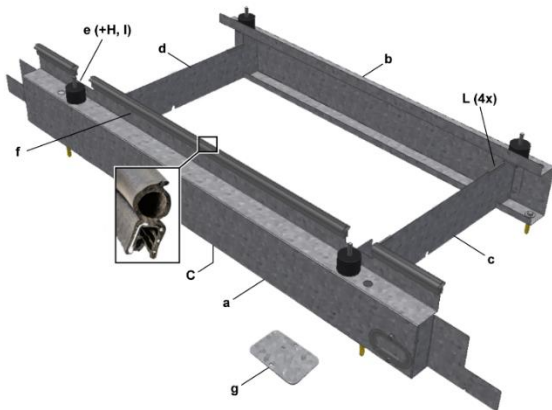
## Installing the unit

- Secure the base frame to the floor with the coach bolts (accessory E) and the sheet-metal washers (accessory F).  
(Optional) If working with a stony base, use the nylon plugs (accessory D).
- Fit 4 round plastic spacer caps (accessory G) to the base frame. Press them into the holes at the top, over which the panels will be fitted later.

### 4.2.2 Installing the support frame

#### Parts

The support frame comprises the following parts:



- a Support beam, front
- b Support beam, rear
- c Support partition, upper
- d Support partition, lower
- e Vibration dampers
- f Rounded rubber
- g Base frame sealing pad

C, H, I, L Accessories

#### Install the support frame

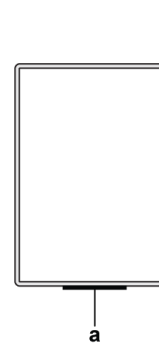
- Position the front support beam (a) and rear support beam (b) parallel to one another with the open sections facing one another.
- Slide the upper support partition (c) and lower support partition (d) between the 2 support beams.
- Check that all holes in the support bars and partitions are aligned with one another.
- Connect the vibration dampers (e) to the support beams and partitions using the M8 spring washers (accessory H).
- Connect the support beams and partitions to one another using the M5 self-tapping bolts (accessory A).



#### NOTE

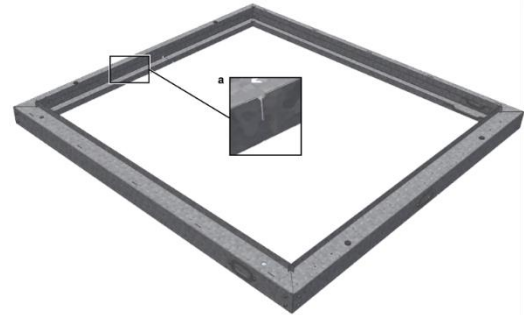
Tighten them hand-tight (maximum tightening torque = 5 Nm).

- Affix 1 strip of sealing tape (accessory C) to both support beams. Affix this in center of the front support beam profile (a) and rear support beam profile (b).

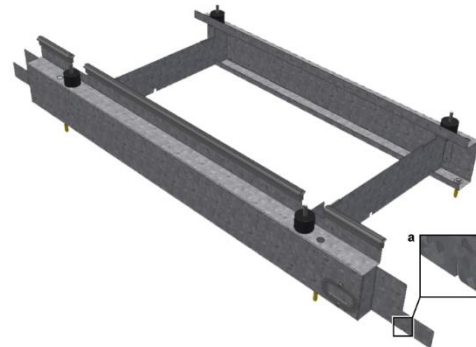


a Sealing tape (accessory C)

- (Optional) As the base of the drip tray: fit the top of both intermediate partitions with U-shaped finishing rubber (accessory L) on the upper part (4x). Cut the U-shaped finishing rubber into 4 equal lengths of 3 cm and place them on the ends of the support partitions.
- Fit the front of the foremost support beam with rounded rubber (f). Cut the correct lengths and ensure that the rubber is interrupted at the notches.
- Click the support frame into the base frame using the grooves.



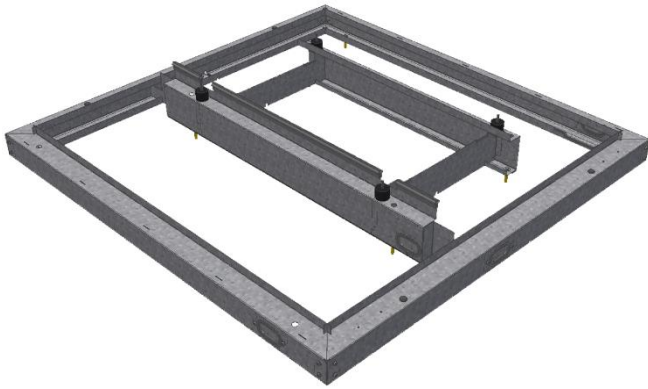
a Location of groove in base frame



a Location of groove in support frame

- Secure the foremost support beam to the floor using the coach bolts (accessory E), sheet-metal washers (accessory F), and plugs (accessory D) if working with a stony base.

## Result



### 4.2.3 Installing the heat pump



#### INFORMATION

For details about installation of the heat pump, see the manual of the heat pump.

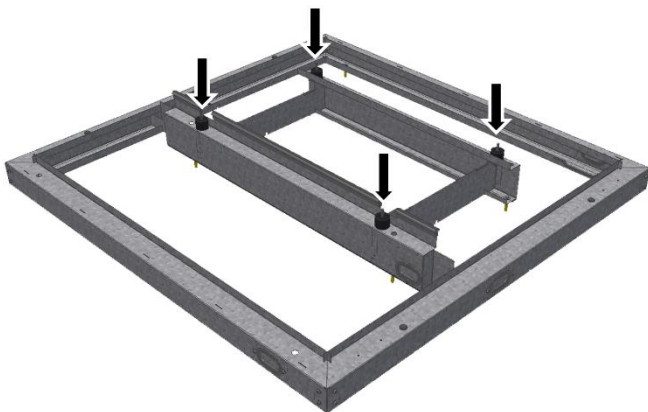


#### CAUTION

When installing the low sound enclosure on an existing unit, the wiring and refrigerant piping **MUST** go through one of the 3 premounted openings in the base frame of the low sound enclosure.

ALWAYS perform the following tasks: pump down the unit, close the shut-off valves, disconnect pipings and wirings and finally reconnect all after passing through one of the openings. Also see the installation manual of the unit.

1. If necessary, secure the rearmost support beam using coach bolts (accessory E) and washers (accessory F).



2. (Optional) If working with a stony base, use the plugs (accessory D).
3. Place the heat pump on the vibration dampers and connect them consecutively using the sheet-metal washer (accessory J), spring washer (accessory H), and nut (accessory I).

## 4.3 Wiring

### 4.3.1 Preparing the wiring

1. Choose the desired aperture in the base frame for the pipes and electrical wiring.
2. Seal the other openings using the base frame sealing pads provided. Secure with M5 self-tapping bolts (accessory A) and washers (accessory B).



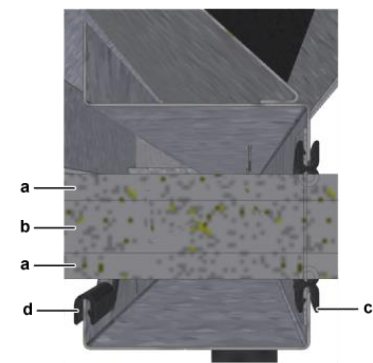
#### NOTE

Tighten them hand-tight (maximum tightening torque = 5 Nm).

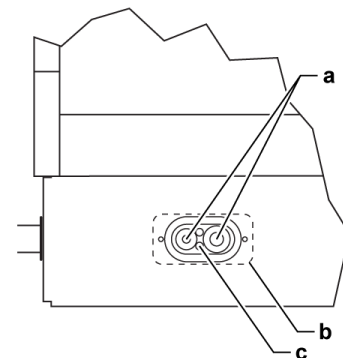
3. If the cables enter from the floor, all openings can be sealed.

### 4.3.2 Positioning the wiring

1. Insert the small rounded finishing rubber (accessory K) into the aperture through which the cables are passed to ensure the perfect seal between the aperture and pipes/cables.
2. Cut the rounded finishing rubber to the correct size with a utility knife and place it on the inside of the aperture.
3. Place a strip of U-shaped finishing rubber (accessory L) on the inside of the base frame to prevent damage to the pipes and cables.
4. Pull the pipes and electrical cables through.
5. Guide the pipes and electrical cables through the floor (base) entry point of the heat pump to prevent kinks in the pipes.



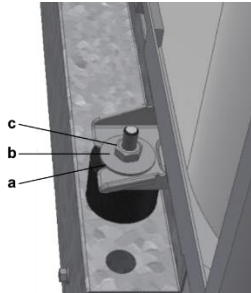
- a Insulation
- b Refrigerant piping
- c Small rounded finishing profile (accessory K)
- d U-shaped finishing profile (accessory L)



- a Refrigeration pipes
- b Cover plate positioned from inside. Placed in 3 positions (see top view). Pipes are sealed with rubber.
- c Electrical cables

## 4.4 Securing the heat pump

1. Secure the heat pump with the M8 sheet-metal washer (accessory J), M8 spring washer (accessory H), and M8 nut (accessory I).



- a Sheet-metal washer M8
- b Spring washer M8
- c Nut M8

2. Connect the pipes and cables from the heat pump according to the installation manual for the heat pump.

## 4.5 Installing the slats

### 4.5.1 Installing the slats frame

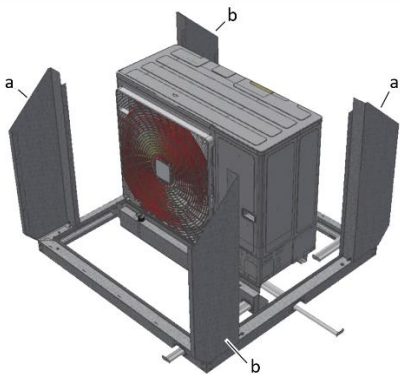
#### Parts

The slat frame comprise the following parts:

- Vertical support, left (a)
- Vertical support, right (b)

#### Install the slats frame

1. Position the vertical supports left (a) and vertical support right (b) on the base frame.



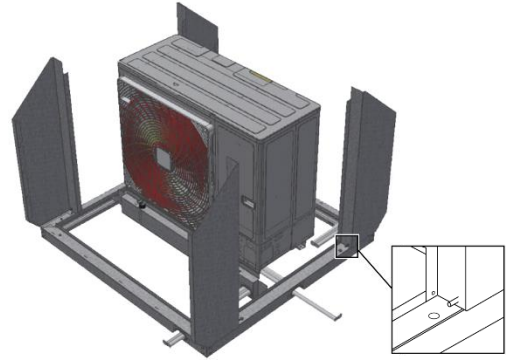
2. Secure with M5 self-tapping bolts (accessory A) and washers (accessory B).



#### NOTE

Tighten them hand-tight (maximum tightening torque = 5 Nm).

3. Fit the plastic guide pins (accessory M) to the bottom of the vertical support.



4. Secure with M5 self-tapping bolts (accessory A) and washers (accessory B).



#### NOTE

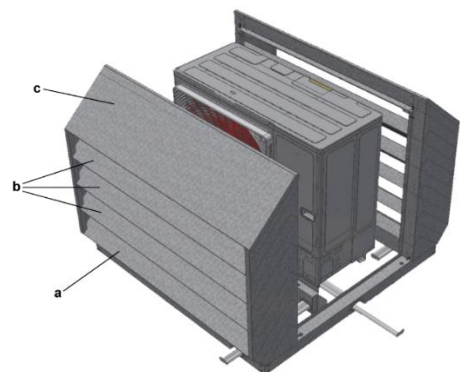
Tighten them hand-tight (maximum tightening torque = 5 Nm).

5. Slide the 15x3 plastic spacer bush (accessory N) over the lower guide pins.

### 4.5.2 Installing the slats

#### Parts

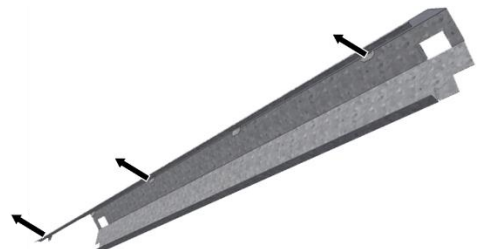
The following slats are fitted on both sides of the frame:



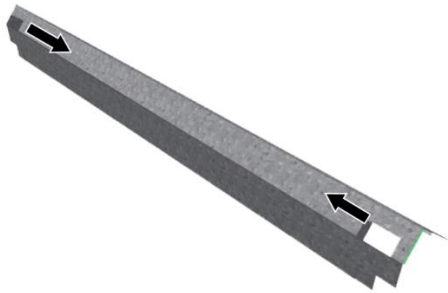
- a Lower slats (2x)
- b Intermediate slats (8x)
- c Upper slats (2x)

#### Install the lower slats

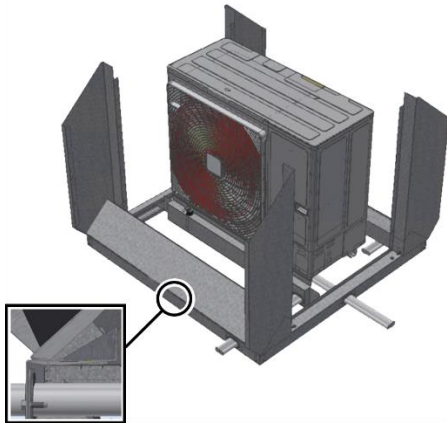
1. Bend the 3 lips in line by hand.



2. Tilt the mounting lips at the end of the slat perpendicular to the slat.



3. Install the 2 lower slats.

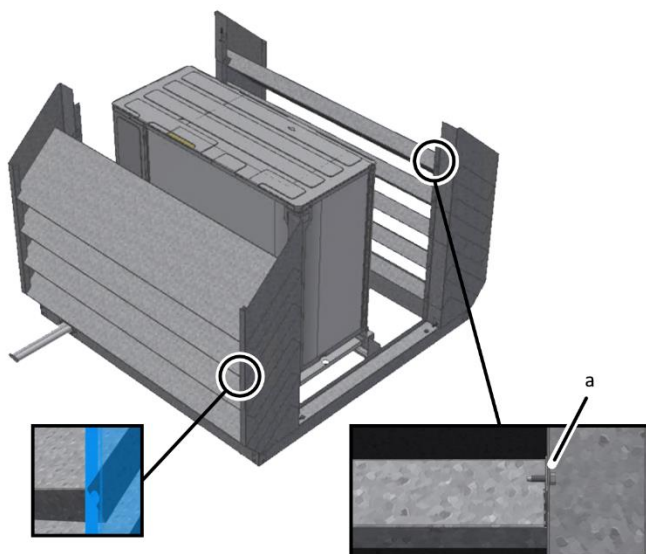


### Install the intermediate slats

1. The intermediate slats are positioned by tilting them into the vertical supports. Position 4 intermediate slats on each side.
2. Bend the mounting lips 90° in respect of the slats. The lips must be connected to the vertical supports. Hold the lip and vertical support firmly by hand so that the holes align with one another.
3. Then, secure the lip with M5 self-tapping bolts (accessory A) and washers (accessory B) inserted from outside.

### NOTE

Tighten them hand-tight (maximum tightening torque = 5 Nm).



a Self-tapping bolt and washer

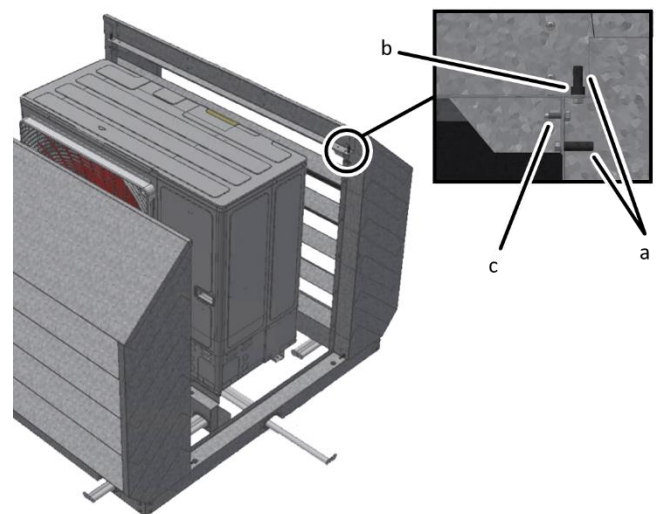
### Install the upper slats

1. The upper slats are positioned by tilting them into the vertical supports. Firstly, place the slat at the top over the vertical supports. Then, slide the slat into the notches below in the vertical supports.
2. Secure the 8 guide pins (accessory M) with the M5 self-tapping bolts (accessory A). A washer is not needed in this case. (illustration a)
3. Fit a 12x7 spacer bush (accessory O) over the upper guide pins (4x). (illustration b)
4. Fit the 4 additional M5 self-tapping bolts (accessory A) and washers (accessory B). (illustration c)



### NOTE

Tighten them hand-tight (maximum tightening torque = 5 Nm).



a Guide pins with self-tapping bolt

b Spacer bush

c Additional self-tapping bolt

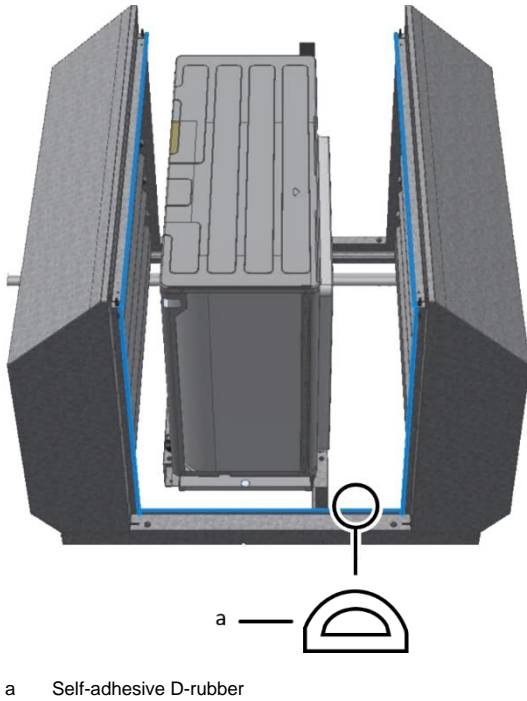
5. Fit the self-adhesive D-rubber (accessory P) to all edges. Fit the rubber flush with the outside of the sheet edge.



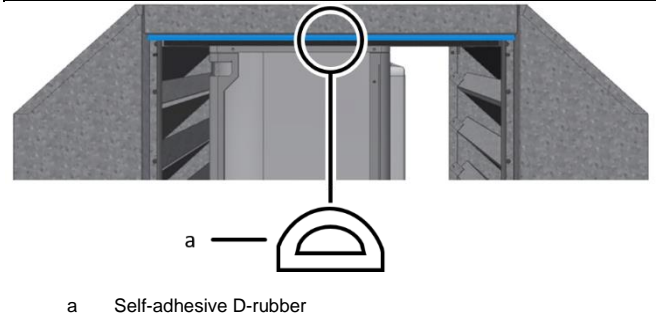
### INFORMATION

Dry and degrease the steel sheet to ensure that the D-rubber adheres properly. Cut the rubber to length with scissors.

## Installing the unit

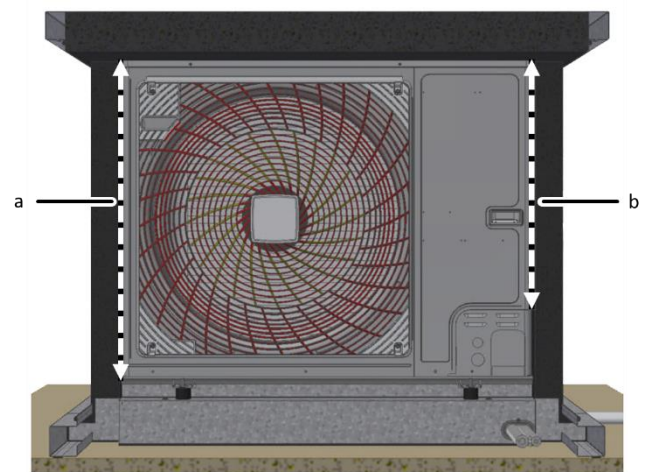


Dry and degrease the steel sheet to ensure that the D-rubber adheres properly. Cut the rubber to length with scissors.



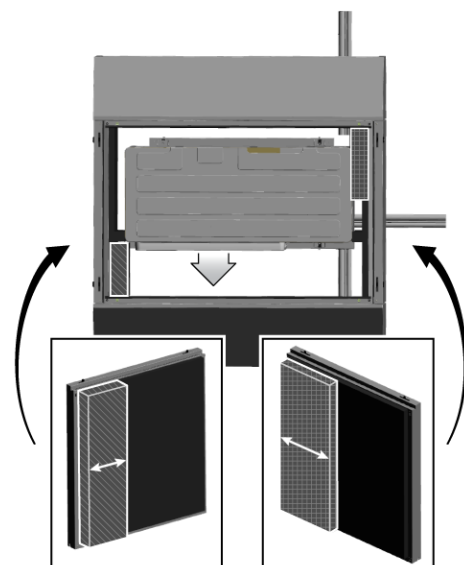
### Installing the side panels

1. Affix the self-adhesive sealing strips to both sides of the heat pump.



- a Sealing strip, left. Affix this over the full height of the heat pump (see dotted line).
- b Sealing strip, right. Affix this over the length of the service door only (see dotted line).

2. Push the remainder of the sealing strip between the base frame profile.
3. Position the left and right side panels. To do this, lift both panels into the recess and let them slide over the lower pins (accessory M).



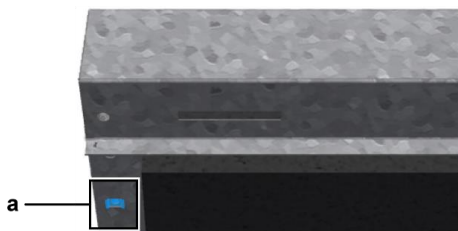
## 4.6 Installing the panels and recirculation seal

### Parts

- Top panel
- Side panel, left
- Side panel, right
- Sealing strips

### Installing the top panel

1. Fit the 4 cage nuts (accessory Q) to the top panel from the inside so that the panel is flat on the outside.



2. Position the top panel. The top panel must be routed precisely over the 4 guide pins (accessory M).
3. Secure the top panel with 4x M5 self-tapping bolts (accessory A) ONLY.

### NOTE

Tighten them hand-tight (maximum tightening torque = 5 Nm).

4. Fit the self-adhesive D-rubber (accessory P) to both edges of the top panel. Fit the rubber flush with the outside of the sheet edge.

### INFORMATION



4. Press the side panels tight and lock them with the key provided (accessory R).

The low sound enclosure has been fitted.

## 4.7 Configuration

After installing the unit ALWAYS deactivate the high ESP function. This in order to avoid increased fan velocity and related increase in outdoor sound emission.

Unit	Setting	Set to value ...
RZAG71/100/125/140N7*	2-79	2
RZA200/250D7Y1B	2-79	2
RXYS4/5/6A7*	2-18	2



### INFORMATION

For further information on the field settings, see the installer reference guide or the service manual for the unit.

## 4.8 Maintenance

The low sound enclosure is free of maintenance under normal conditions.

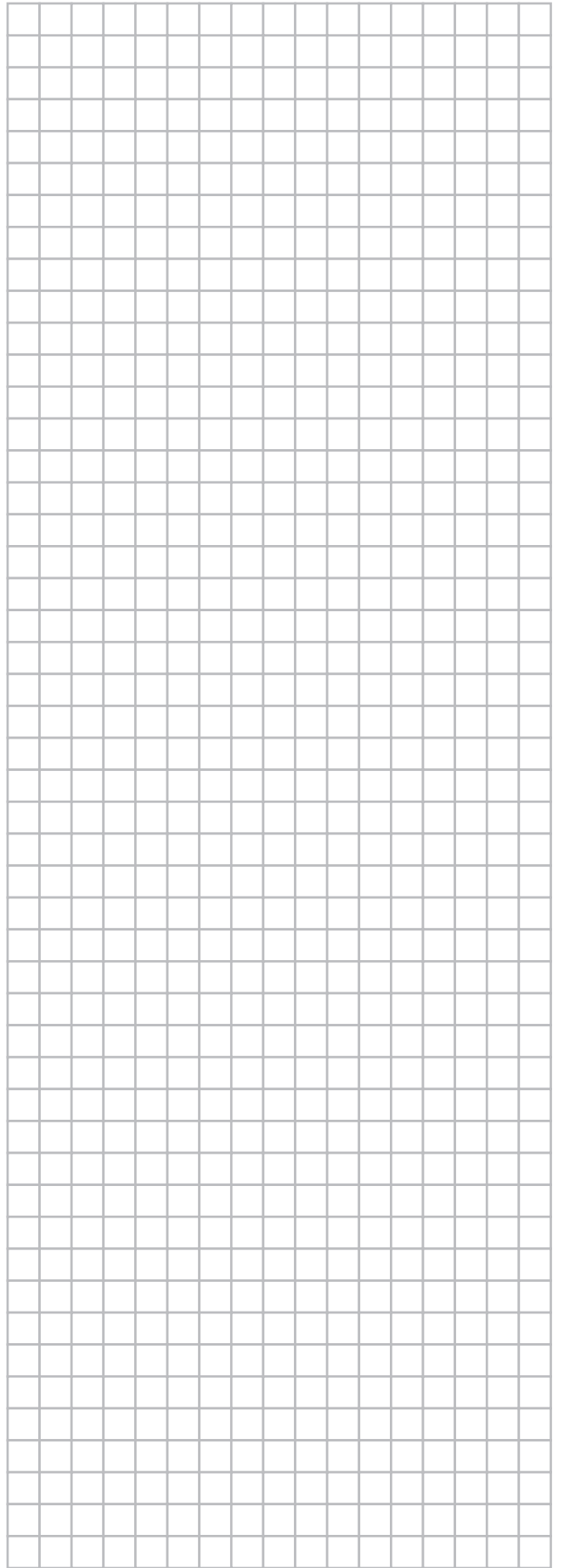
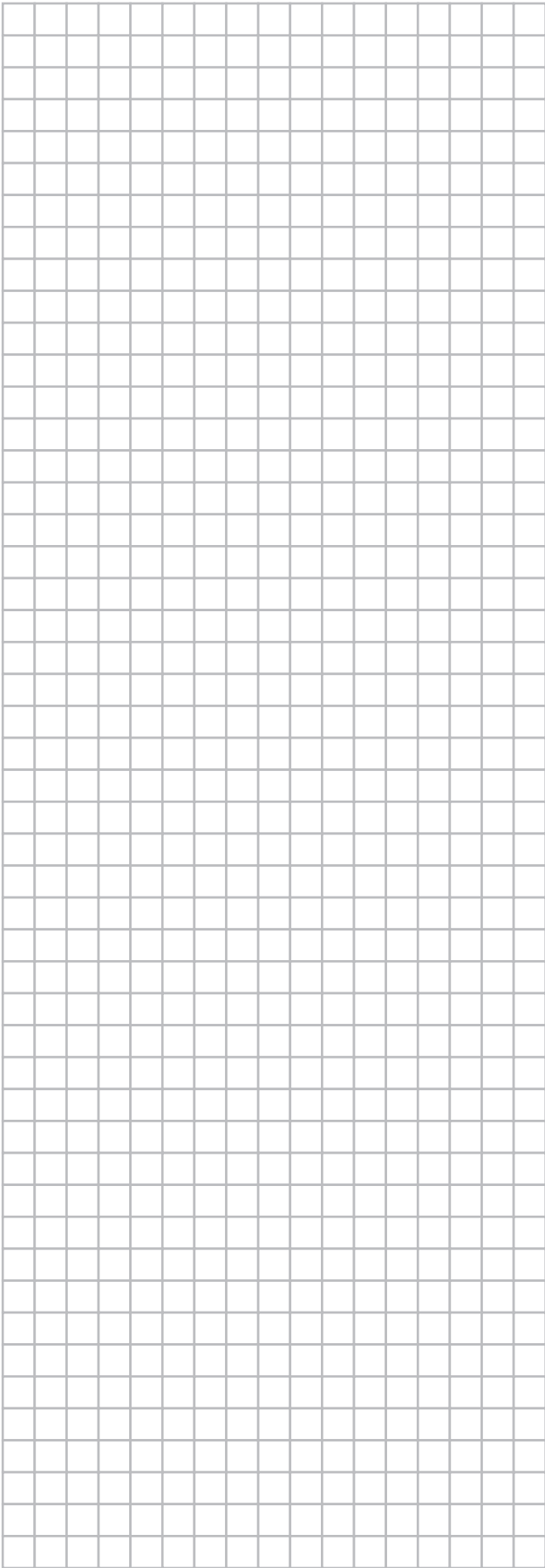
Clean the outside with water and a mild cleaning agent at regular intervals to keep the housing in optimal condition.

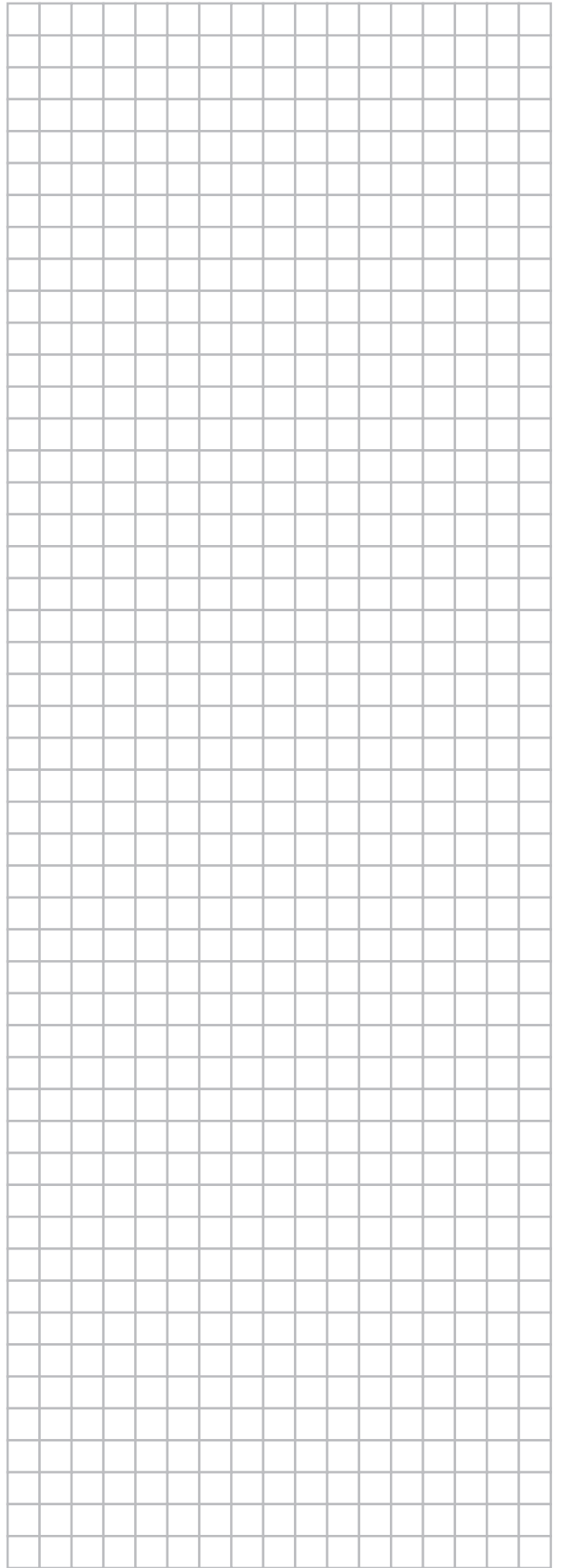
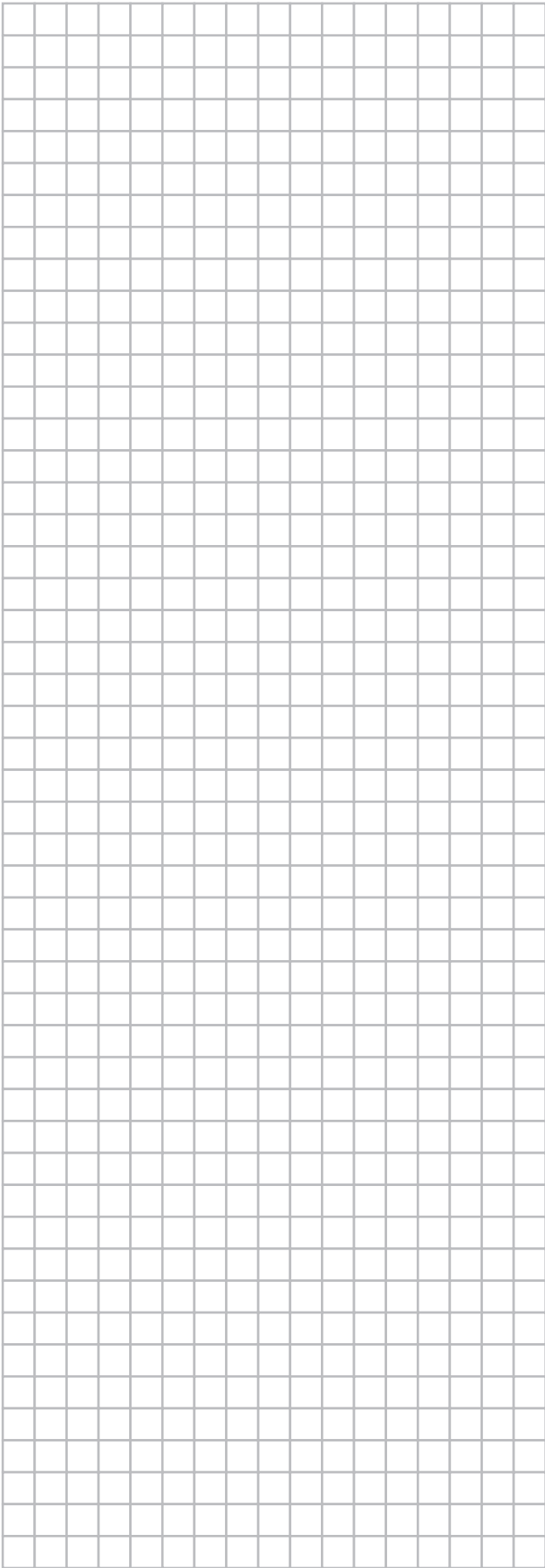
So as not to impair the return from the heat pump, there must be no blockages in the ventilation openings. Always remove dirt (such as leaves) and snow.



### INFORMATION

For information on maintaining the heat pump, see the maintenance manual for the respective heat pump.





**ERC**



\*4P650154-1 000000J\*

Copyright 2021 Daikin

**DAIKIN EUROPE N.V.**

Zandvoordestraat 300, B-8400 Oostende, Belgium

4P650154-1 2021.03