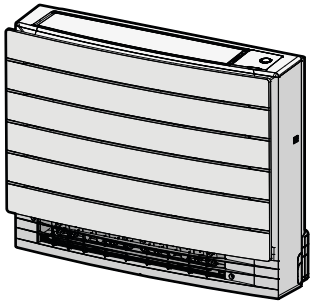




Installer reference guide
Split system air conditioners



CVXM20A2V1B

FVXM25A2V1B
FVXM35A2V1B
FVXM50A2V1B

Table of contents

1	About the documentation	4
1.1	About this document	4
2	General safety precautions	5
2.1	About the documentation	5
2.1.1	Meaning of warnings and symbols	5
2.2	For the installer	6
2.2.1	General	6
2.2.2	Installation site	7
2.2.3	Refrigerant — in case of R410A or R32.....	11
2.2.4	Brine.....	12
2.2.5	Water	13
2.2.6	Electrical	13
3	Specific installer safety instructions	16
4	About the box	18
4.1	Indoor unit	18
4.1.1	To unpack the indoor unit.....	18
4.1.2	To remove the accessories from the indoor unit	18
5	About the unit	20
5.1	System layout.....	20
5.2	Operation range.....	20
5.3	About the wireless LAN.....	21
5.3.1	Precautions when using the wireless LAN	21
5.3.2	Basic parameters.....	21
5.3.3	Setting the wireless LAN.....	21
6	Unit installation	23
6.1	Preparing the installation site.....	23
6.1.1	Installation site requirements of the indoor unit	23
6.2	Opening the indoor unit	25
6.2.1	To remove the front panel	25
6.2.2	To remove the front grille	25
6.2.3	To open the terminal block and remove the electrical wiring box cover	25
6.3	Mounting the indoor unit	26
6.3.1	To install the indoor unit	26
6.3.2	To drill a wall hole.....	31
6.3.3	To remove the slit portions	31
6.3.4	To provide drainage.....	32
6.4	Mounting the user interface.....	34
6.4.1	To mount the user interface holder.....	34
7	Piping installation	35
7.1	Preparing refrigerant piping	35
7.1.1	Refrigerant piping requirements.....	35
7.1.2	Refrigerant piping insulation.....	36
7.2	Connecting the refrigerant piping	36
7.2.1	About connecting the refrigerant piping	36
7.2.2	Precautions when connecting the refrigerant piping.....	36
7.2.3	Guidelines when connecting the refrigerant piping.....	37
7.2.4	Pipe bending guidelines	38
7.2.5	To flare the pipe end	38
7.2.6	To connect the refrigerant piping to the indoor unit	39
8	Electrical installation	40
8.1	About connecting the electrical wiring	40
8.1.1	Precautions when connecting the electrical wiring.....	40
8.1.2	Guidelines when connecting the electrical wiring.....	41
8.1.3	Specifications of standard wiring components.....	42
8.2	To connect the electrical wiring to the indoor unit	42
8.3	To connect optional accessories (wired user interface, central user interface, wireless adapter, etc.).....	43
9	Finishing the indoor unit installation	45
9.1	To finish the indoor unit installation	45
9.2	To close the indoor unit.....	45

9.2.1	To close the electrical wiring box and close the terminal block.....	45
9.2.2	To re-install the front grille	45
9.2.3	To re-install the front panel	45
10	Configuration	47
10.1	To set a different address.....	47
11	Commissioning	49
11.1	Overview: Commissioning	49
11.2	Checklist before commissioning	49
11.3	To perform a test run.....	50
11.3.1	To perform a test run using the user interface	50
12	Hand-over to the user	51
13	Disposal	52
14	Technical data	53
14.1	Wiring diagram.....	53
14.1.1	Unified wiring diagram legend	53
15	Glossary	56

1 About the documentation

1.1 About this document



INFORMATION

Make sure that the user has the printed documentation and ask him/her to keep it for future reference.

Target audience

Authorised installers



INFORMATION

This appliance is intended to be used by expert or trained users in shops, in light industry, and on farms, or for commercial and household use by lay persons.



WARNING

Make sure installation, servicing, maintenance, repair and applied materials follow the instructions from Daikin and, in addition, comply with applicable legislation and are performed by qualified persons only. In Europe and areas where IEC standards apply, EN/IEC 60335-2-40 is the applicable standard.

Documentation set

This document is part of a documentation set. The complete set consists of:

- **General safety precautions:**
 - Safety instructions that you **MUST** read before installing
 - Format: Paper (in the box of the indoor unit)
- **Indoor unit installation manual:**
 - Installation instructions
 - Format: Paper (in the box of the indoor unit)
- **Installer reference guide:**
 - Preparation of the installation, good practices, reference data,...
 - Format: Digital files on <http://www.daikineurope.com/support-and-manuals/product-information/>

Latest revisions of the supplied documentation may be available on the regional Daikin website or via your dealer.

The original documentation is written in English. All other languages are translations.

Technical engineering data

- A **subset** of the latest technical data is available on the regional Daikin website (publicly accessible).
- The **full set** of latest technical data is available on the Daikin Business Portal (authentication required).

2 General safety precautions

2.1 About the documentation

- The original documentation is written in English. All other languages are translations.
- The precautions described in this document cover very important topics, follow them carefully.
- The installation of the system, and all activities described in the installation manual and in the installer reference guide **MUST** be performed by an authorised installer.

2.1.1 Meaning of warnings and symbols



DANGER

Indicates a situation that results in death or serious injury.



DANGER: RISK OF ELECTROCUTION

Indicates a situation that could result in electrocution.



DANGER: RISK OF BURNING/SCALDING

Indicates a situation that could result in burning/scalding because of extreme hot or cold temperatures.



DANGER: RISK OF EXPLOSION

Indicates a situation that could result in explosion.



WARNING

Indicates a situation that could result in death or serious injury.



WARNING: FLAMMABLE MATERIAL



CAUTION

Indicates a situation that could result in minor or moderate injury.



NOTICE





Indicates a situation that could result in equipment or property damage.





INFORMATION

Indicates useful tips or additional information.

Symbols used on the unit:

Symbol	Explanation
	Before installation, read the installation and operation manual, and the wiring instruction sheet.
	Before performing maintenance and service tasks, read the service manual.
	For more information, see the installer and user reference guide.
	The unit contains rotating parts. Be careful when servicing or inspecting the unit.






Symbols used in the documentation:

Symbol	Explanation
	Indicates a figure title or a reference to it. Example: "▲ 1–3 Figure title" means "Figure 3 in chapter 1".
	Indicates a table title or a reference to it. Example: "■ 1–3 Table title" means "Table 3 in chapter 1".

2.2 For the installer

2.2.1 General

If you are NOT sure how to install or operate the unit, contact your dealer.

	<p>DANGER: RISK OF BURNING/SCALDING</p> <ul style="list-style-type: none"> Do NOT touch the refrigerant piping, water piping or internal parts during and immediately after operation. It could be too hot or too cold. Give it time to return to normal temperature. If you must touch it, wear protective gloves. Do NOT touch any accidental leaking refrigerant.
	<p>WARNING</p> <p>Improper installation or attachment of equipment or accessories could result in electrical shock, short-circuit, leaks, fire or other damage to the equipment. Only use accessories, optional equipment and spare parts made or approved by Daikin.</p>
	<p>WARNING</p> <p>Make sure installation, testing and applied materials comply with applicable legislation (on top of the instructions described in the Daikin documentation).</p>
	<p>CAUTION</p> <p>Wear adequate personal protective equipment (protective gloves, safety glasses,...) when installing, maintaining or servicing the system.</p>
	<p>WARNING</p> <p>Tear apart and throw away plastic packaging bags so that nobody, especially children, can play with them. Possible risk: suffocation.</p>

**WARNING**

Provide adequate measures to prevent that the unit can be used as a shelter by small animals. Small animals that make contact with electrical parts can cause malfunctions, smoke or fire.

**CAUTION**

Do NOT touch the air inlet or aluminium fins of the unit.

**CAUTION**

- Do NOT place any objects or equipment on top of the unit.
- Do NOT sit, climb or stand on the unit.

**NOTICE**

Works executed on the outdoor unit are best done under dry weather conditions to avoid water ingress.

In accordance with the applicable legislation, it might be necessary to provide a logbook with the product containing at least: information on maintenance, repair work, results of tests, stand-by periods,...

Also, at least, following information **MUST** be provided at an accessible place at the product:

- Instructions for shutting down the system in case of an emergency
- Name and address of fire department, police and hospital
- Name, address and day and night telephone numbers for obtaining service

In Europe, EN378 provides the necessary guidance for this logbook.

2.2.2 Installation site

- Provide sufficient space around the unit for servicing and air circulation.
- Make sure the installation site withstands the weight and vibration of the unit.
- Make sure the area is well ventilated. Do NOT block any ventilation openings.
- Make sure the unit is level.

Do NOT install the unit in the following places:

- In potentially explosive atmospheres.
- In places where there is machinery that emits electromagnetic waves. Electromagnetic waves may disturb the control system, and cause malfunction of the equipment.
- In places where there is a risk of fire due to the leakage of flammable gases (example: thinner or gasoline), carbon fibre, ignitable dust.
- In places where corrosive gas (example: sulphurous acid gas) is produced. Corrosion of copper pipes or soldered parts may cause the refrigerant to leak.
- In bathrooms.

Instructions for equipment using R32 refrigerant

**WARNING: MILDLY FLAMMABLE MATERIAL**

The refrigerant inside this unit is mildly flammable.



WARNING

- Do NOT pierce or burn.
- Do NOT use means to accelerate the defrosting process or to clean the equipment, other than those recommended by the manufacturer.
- Be aware that R32 refrigerant does NOT contain an odour.



WARNING

The appliance shall be stored so as to prevent mechanical damage and in a well-ventilated room without continuously operating ignition sources (example: open flames, an operating gas appliance or an operating electric heater) and have a room size as specified below.



WARNING

Make sure installation, servicing, maintenance and repair comply with instructions from Daikin and with applicable legislation (for example national gas regulation) and are executed only by authorised persons.



WARNING

If one or more rooms are connected to the unit using a duct system, make sure:

- there are no operating ignition sources (example: open flames, an operating gas appliance or an operating electric heater) in case the floor area is less than the minimum floor area A (m²).
- no auxiliary devices, which may be a potential ignition source, are installed in the duct work (example: hot surfaces with a temperature exceeding 700°C and electric switching device);
- only auxiliary devices approved by the manufacturer are used in the duct work;
- air inlet AND outlet are connected directly to the same room by ducting. Do NOT use spaces such as a false ceiling as a duct for the air inlet or outlet.



NOTICE

- Precautions shall be taken to avoid excessive vibration or pulsation to refrigeration piping.
- Protection devices, piping and fittings shall be protected as far as possible against adverse environmental effects.
- Provision shall be made for expansion and contraction of long runs of piping.
- Piping in refrigerating systems shall be designed and installed such as to minimise the likelihood of hydraulic shock damaging the system.
- The indoor equipment and pipes shall be securely mounted and guarded such that accidental rupture of equipment or pipes cannot occur from events such as moving furniture or reconstruction activities.



CAUTION

Do NOT use potential sources of ignition in searching for or detection of refrigerant leaks.



NOTICE

- Do NOT re-use joints which have been used already.
- Joints made in installation between parts of refrigerant system shall be accessible for maintenance purposes.

Installation space requirements



WARNING

If appliances contain R32 refrigerant, the floor area of the room in which the appliances are installed, operated and stored **MUST** be larger than the minimum floor area defined in table below A (m²). This applies to:

- Indoor units **without** a refrigerant leakage sensor; in case of indoor units **with** refrigerant leakage sensor, consult the installation manual
- Outdoor units installed or stored indoors (e.g. winter garden, garage, machinery room)
- Pipework in unventilated spaces

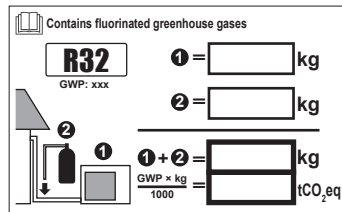


NOTICE

- Pipework shall be protected from physical damage.
- Installation of pipework shall be kept to a minimum.

To determine the minimum floor area

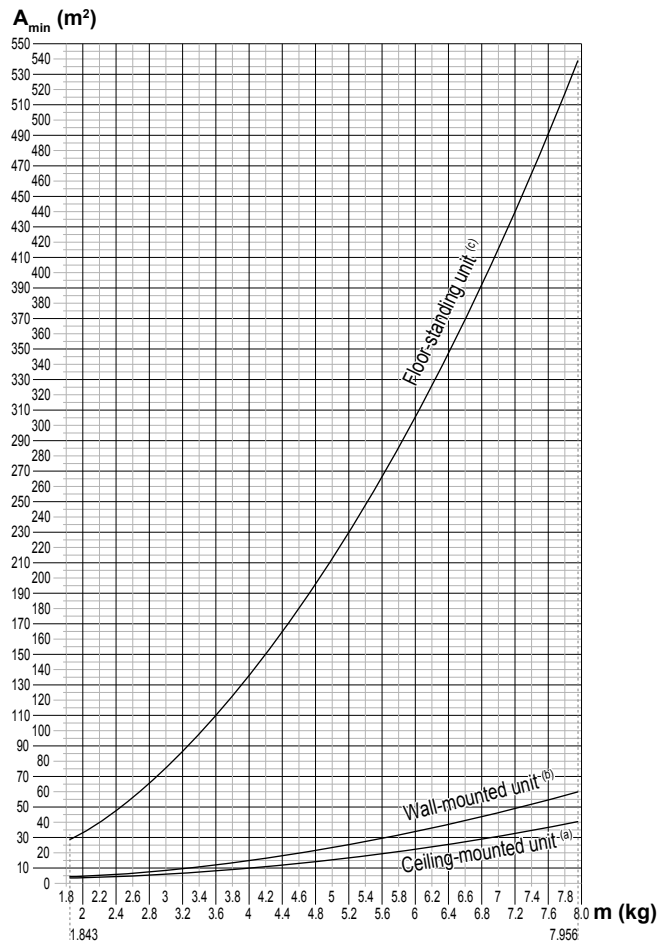
- 1 Determine the total refrigerant charge in the system (= factory refrigerant charge ① + ② additional refrigerant amount charged).



- 2 Determine which graph or table to use.
 - For indoor units: Is the unit ceiling-mounted, wall-mounted or floor-standing?
 - For outdoor units installed or stored indoors, and field piping in unventilated spaces, this depends on the installation height:

If the installation height is...	Then use the graph or table for...
<1.8 m	Floor-standing units
1.8 ≤ x < 2.2 m	Wall-mounted units
≥ 2.2 m	Ceiling-mounted units

- 3 Use the graph or table to determine the minimum floor area.



Ceiling-mounted unit ^(a)		Wall-mounted unit ^(b)		Floor-standing unit ^(c)	
m (kg)	A _{min} (m ²)	m (kg)	A _{min} (m ²)	m (kg)	A _{min} (m ²)
≤1.842	—	≤1.842	—	≤1.842	—
1.843	3.64	1.843	4.45	1.843	28.9
2.0	3.95	2.0	4.83	2.0	34.0
2.2	4.34	2.2	5.31	2.2	41.2
2.4	4.74	2.4	5.79	2.4	49.0
2.6	5.13	2.6	6.39	2.6	57.5
2.8	5.53	2.8	7.41	2.8	66.7
3.0	5.92	3.0	8.51	3.0	76.6
3.2	6.48	3.2	9.68	3.2	87.2
3.4	7.32	3.4	10.9	3.4	98.4
3.6	8.20	3.6	12.3	3.6	110
3.8	9.14	3.8	13.7	3.8	123
4.0	10.1	4.0	15.1	4.0	136
4.2	11.2	4.2	16.7	4.2	150
4.4	12.3	4.4	18.3	4.4	165
4.6	13.4	4.6	20.0	4.6	180
4.8	14.6	4.8	21.8	4.8	196
5.0	15.8	5.0	23.6	5.0	213
5.2	17.1	5.2	25.6	5.2	230
5.4	18.5	5.4	27.6	5.4	248
5.6	19.9	5.6	29.7	5.6	267
5.8	21.3	5.8	31.8	5.8	286
6.0	22.8	6.0	34.0	6.0	306
6.2	24.3	6.2	36.4	6.2	327
6.4	25.9	6.4	38.7	6.4	349
6.6	27.6	6.6	41.2	6.6	371
6.8	29.3	6.8	43.7	6.8	394
7.0	31.0	7.0	46.3	7.0	417
7.2	32.8	7.2	49.0	7.2	441
7.4	34.7	7.4	51.8	7.4	466
7.6	36.6	7.6	54.6	7.6	492
7.8	38.5	7.8	57.5	7.8	518
7.956	40.1	7.956	59.9	7.956	539

m Total refrigerant charge in the system
A_{min} Minimum floor area
(a) Ceiling-mounted unit (= Ceiling-mounted unit)

(b) Wall-mounted unit (= Wall-mounted unit)

(c) Floor-standing unit (= Floor-standing unit)

2.2.3 Refrigerant — in case of R410A or R32

If applicable. See the installation manual or installer reference guide of your application for more information.



NOTICE

Make sure refrigerant piping installation complies with applicable legislation. In Europe, EN378 is the applicable standard.



NOTICE

Make sure the field piping and connections are NOT subjected to stress.



WARNING

During tests, NEVER pressurize the product with a pressure higher than the maximum allowable pressure (as indicated on the nameplate of the unit).



WARNING

Take sufficient precautions in case of refrigerant leakage. If refrigerant gas leaks, ventilate the area immediately. Possible risks:

- Excessive refrigerant concentrations in a closed room can lead to oxygen deficiency.
- Toxic gas might be produced if refrigerant gas comes into contact with fire.



DANGER: RISK OF EXPLOSION

Pump down – Refrigerant leakage. If you want to pump down the system, and there is a leak in the refrigerant circuit:

- Do NOT use the unit's automatic pump down function, with which you can collect all refrigerant from the system into the outdoor unit. **Possible consequence:** Self-combustion and explosion of the compressor because of air going into the operating compressor.
- Use a separate recovery system so that the unit's compressor does NOT have to operate.



WARNING

ALWAYS recover the refrigerant. Do NOT release them directly into the environment. Use a vacuum pump to evacuate the installation.



NOTICE

After all the piping has been connected, make sure there is no gas leak. Use nitrogen to perform a gas leak detection.



NOTICE

- To avoid compressor breakdown, do NOT charge more than the specified amount of refrigerant.
- When the refrigerant system is to be opened, refrigerant MUST be treated according to the applicable legislation.





WARNING

Make sure there is no oxygen in the system. Refrigerant may only be charged after performing the leak test and the vacuum drying.

Possible consequence: Self-combustion and explosion of the compressor because of oxygen going into the operating compressor.

- In case recharge is required, see the nameplate of the unit. It states the type of refrigerant and necessary amount.
- The unit is factory charged with refrigerant and depending on pipe sizes and pipe lengths some systems require additional charging of refrigerant.
- Only use tools exclusively for the refrigerant type used in the system, this to ensure pressure resistance and prevent foreign materials from entering into the system.
- Charge the liquid refrigerant as follows:

If	Then
A siphon tube is present (i.e., the cylinder is marked with "Liquid filling siphon attached")	Charge with the cylinder upright. 
A siphon tube is NOT present	Charge with the cylinder upside down. 

- Open refrigerant cylinders slowly.
- Charge the refrigerant in liquid form. Adding it in gas form may prevent normal operation.



CAUTION

When the refrigerant charging procedure is done or when pausing, close the valve of the refrigerant tank immediately. If the valve is NOT closed immediately, remaining pressure might charge additional refrigerant. **Possible consequence:** Incorrect refrigerant amount.

2.2.4 Brine

If applicable. See the installation manual or installer reference guide of your application for more information.



WARNING

The selection of the brine MUST be in accordance with the applicable legislation.



WARNING

Take sufficient precautions in case of brine leakage. If brine leaks, ventilate the area immediately and contact your local dealer.

**WARNING**

The ambient temperature inside the unit can get much higher than that of the room, e.g. 70°C. In case of a brine leak, hot parts inside the unit can create a hazardous situation.

**WARNING**

The use and installation of the application **MUST** comply with the safety and environmental precautions specified in the applicable legislation.

2.2.5 Water

If applicable. See the installation manual or installer reference guide of your application for more information.

**NOTICE**

Make sure water quality complies with EU directive 98/83 EC.

2.2.6 Electrical

**DANGER: RISK OF ELECTROCUTION**

- Turn OFF all power supply before removing the switch box cover, connecting electrical wiring or touching electrical parts.
- Disconnect the power supply for more than 10 minutes, and measure the voltage at the terminals of main circuit capacitors or electrical components before servicing. The voltage **MUST** be less than 50 V DC before you can touch electrical components. For the location of the terminals, see the wiring diagram.
- Do NOT touch electrical components with wet hands.
- Do NOT leave the unit unattended when the service cover is removed.

**WARNING**

If NOT factory installed, a main switch or other means for disconnection, having a contact separation in all poles providing full disconnection under overvoltage category III condition, **MUST** be installed in the fixed wiring.



WARNING

- ONLY use copper wires.
- Make sure the field wiring complies with the applicable legislation.
- All field wiring MUST be performed in accordance with the wiring diagram supplied with the product.
- NEVER squeeze bundled cables and make sure they do NOT come in contact with the piping and sharp edges. Make sure no external pressure is applied to the terminal connections.
- Make sure to install earth wiring. Do NOT earth the unit to a utility pipe, surge absorber, or telephone earth. Incomplete earth may cause electrical shock.
- Make sure to use a dedicated power circuit. NEVER use a power supply shared by another appliance.
- Make sure to install the required fuses or circuit breakers.
- Make sure to install an earth leakage protector. Failure to do so may cause electrical shock or fire.
- When installing the earth leakage protector, make sure it is compatible with the inverter (resistant to high frequency electric noise) to avoid unnecessary opening of the earth leakage protector.



CAUTION

- When connecting the power supply: connect the earth cable first, before making the current-carrying connections.
- When disconnecting the power supply: disconnect the current-carrying cables first, before separating the earth connection.
- The length of the conductors between the power supply stress relief and the terminal block itself must be as such that the current-carrying wires are tautened before the earth wire is in case the power supply is pulled loose from the stress relief.



NOTICE

Precautions when laying power wiring:



- Do NOT connect wiring of different thicknesses to the power terminal block (slack in the power wiring may cause abnormal heat).
- When connecting wiring which is the same thickness, do as shown in the figure above.
- For wiring, use the designated power wire and connect firmly, then secure to prevent outside pressure being exerted on the terminal board.
- Use an appropriate screwdriver for tightening the terminal screws. A screwdriver with a small head will damage the head and make proper tightening impossible.
- Over-tightening the terminal screws may break them.

Install power cables at least 1 m away from televisions or radios to prevent interference. Depending on the radio waves, a distance of 1 m may not be sufficient.



WARNING

- After finishing the electrical work, confirm that each electrical component and terminal inside the electrical components box is connected securely.
- Make sure all covers are closed before starting up the unit.



NOTICE

Only applicable if the power supply is three-phase, and the compressor has an ON/OFF starting method.

If there exists the possibility of reversed phase after a momentary black out and the power goes on and off while the product is operating, attach a reversed phase protection circuit locally. Running the product in reversed phase can break the compressor and other parts.

3 Specific installer safety instructions

Always observe the following safety instructions and regulations.

Unit installation (see "[6 Unit installation](#)" [▶ 23])



WARNING

The appliance shall be stored in a room without continuously operating ignition sources (example: open flames, an operating gas appliance or an operating electric heater).



CAUTION

For walls containing a metal frame or a metal board, use a wall embedded pipe and wall cover in the feed-through hole to prevent possible heat, electrical shock, or fire.

Piping installation (see "[7 Piping installation](#)" [▶ 35])



DANGER: RISK OF BURNING/SCALDING



CAUTION

- Use the flare nut fixed to the unit.
- To prevent gas leakage, apply refrigeration oil only to the inside of the flare. Use refrigeration oil for R32.
- Do NOT reuse joints.



CAUTION

- Do NOT use mineral oil on flared part.
- NEVER install a drier to this R32 unit to guarantee its lifetime. The drying material may dissolve and damage the system.



CAUTION

- Incomplete flaring may cause refrigerant gas leakage.
- Do NOT re-use flares. Use new flares to prevent refrigerant gas leakage.
- Use flare nuts that are included with the unit. Using different flare nuts may cause refrigerant gas leakage.

Electrical installation (see "[8 Electrical installation](#)" [▶ 40])



DANGER: RISK OF ELECTROCUTION



WARNING

- All wiring MUST be performed by an authorised electrician and MUST comply with the applicable legislation.
- Make electrical connections to the fixed wiring.
- All components procured on-site and all electrical construction MUST comply with the applicable legislation.

**WARNING**

- If the power supply has a missing or wrong N-phase, equipment might break down.
- Establish proper earthing. Do NOT earth the unit to a utility pipe, surge absorber, or telephone earth. Incomplete earthing may cause electrical shock.
- Install the required fuses or circuit breakers.
- Secure the electrical wiring with cable ties so that the cables do NOT come in contact with sharp edges or piping, particularly on the high-pressure side.
- Do NOT use taped wires, stranded conductor wires, extension cords, or connections from a star system. They can cause overheating, electrical shock or fire.
- Do NOT install a phase advancing capacitor, because this unit is equipped with an inverter. A phase advancing capacitor will reduce performance and may cause accidents.

**WARNING**

ALWAYS use multicore cable for power supply cables.

**WARNING**

Use an all-pole disconnection type breaker with at least 3 mm between the contact point gaps that provide full disconnection under overvoltage category III.

**WARNING**

If the supply cord is damaged, it MUST be replaced by the manufacturer, its service agent or similarly qualified persons in order to avoid a hazard.

**WARNING**

Do NOT connect the power supply to the indoor unit. This could result in electrical shock or fire.

**WARNING**

- Do NOT use locally purchased electrical parts inside the product.
- Do NOT branch the power supply for the drain pump, etc. from the terminal block. This could result in electrical shock or fire.

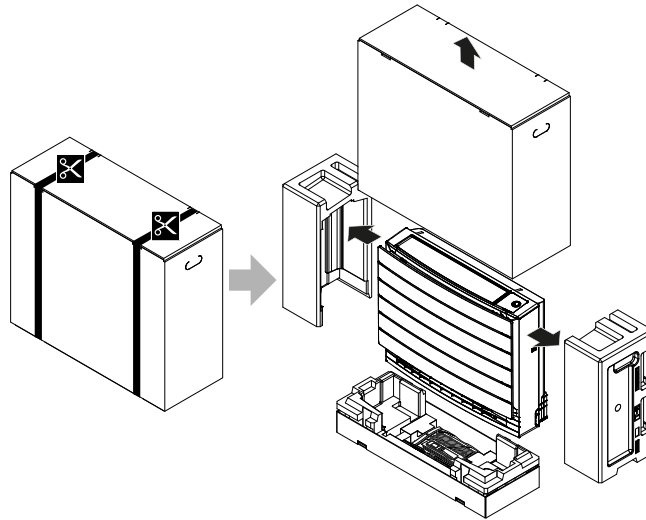
**WARNING**

Keep the interconnection wiring away from copper pipes without thermal insulation as such pipes will be very hot.

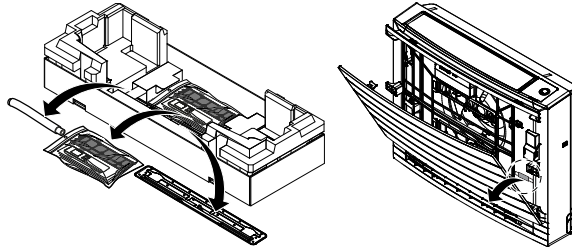
4 About the box

4.1 Indoor unit

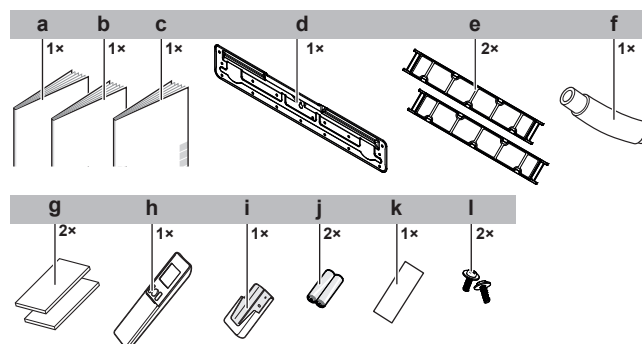
4.1.1 To unpack the indoor unit



4.1.2 To remove the accessories from the indoor unit



- 1 Remove the accessories located at the bottom of the package. Spare SSID sticker is located on the unit.



- a Installation manual
- b Operation manual
- c General safety precautions
- d Mounting plate (attached to the unit)
- e Titanium apatite deodorising filter
- f Drain hose
- g Insulation piece
- h User interface
- i User interface holder
- j Dry battery AAA.LR03 (alkaline) for user interface
- k Spare SSID sticker (attached to the unit)

I Screws

- **Spare SSID sticker.** Do NOT throw away the spare sticker. Keep it in a safe place in case it is needed in the future (e.g. in case the front grille is replaced, attach it to the new front grille).

5 About the unit



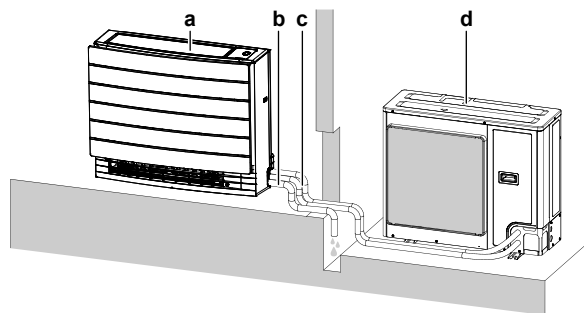
WARNING: MILDLY FLAMMABLE MATERIAL

The refrigerant inside this unit is mildly flammable.

Following symbols may occur on the indoor unit:

Symbol	Explanation
	Measure the voltage at the terminals of main circuit capacitors or electrical components before servicing.

5.1 System layout



- a Indoor unit
- b Drain piping
- c Refrigerant piping (gas and liquid)
- d Outdoor unit

5.2 Operation range

Use the system in the following temperature and humidity ranges for safe and effective operation.

In combination with outdoor unit RXM25~50, 2MXM40+50, 3MXM40+52		
	Cooling and drying ^{(a)(b)}	Heating ^(a)
Outdoor temperature	-10~46°C DB	-15~24°C DB -15~18°C WB
Indoor temperature	18~32°C DB 14~23°C WB	10~30°C DB
Indoor humidity	≤80% ^(b)	—

^(a) A safety device might stop the operation of the system if the unit runs outside its operation range.

^(b) Condensation and water dripping might occur if the unit runs outside its operation range.

In combination with outdoor unit RXTP25+35		
	Cooling and drying ^{(a)(b)}	Heating ^(a)
Outdoor temperature	-10~46°C DB	-25~24°C DB -25~18°C WB

In combination with outdoor unit RXTP25+35		
	Cooling and drying ^{(a)(b)}	Heating ^(a)
Indoor temperature	18~32°C DB 14~23°C WB	10~30°C DB
Indoor humidity	≤80% ^(b)	—

^(a) A safety device might stop the operation of the system if the unit runs outside its operation range.

^(b) Condensation and water dripping might occur if the unit runs outside its operation range.

5.3 About the wireless LAN

For detailed specifications, installation instructions, setting methods, FAQ, declaration of conformity and the latest version of this manual, visit <http://www.onlinecontroller.daikineurope.com>.



INFORMATION

- Daikin Industries Czech Republic s.r.o. declares that the radio equipment type inside of this unit is in compliance with Directive 2014/53/EU.
- This unit is considered as combined equipment according to the definition of Directive 2014/53/EU.

5.3.1 Precautions when using the wireless LAN

Do NOT use near:

- **Medical equipment.** E.g. persons using cardiac pacemakers or defibrillators. This product may cause electromagnetic interference.
- **Auto-control equipment.** E.g. automatic doors or fire alarm equipment. This product may cause faulty behaviour of the equipment.
- **Microwave oven.** It may affect wireless LAN communications.

5.3.2 Basic parameters

What	Value
Frequency range	2400 MHz~2483.5 MHz
Radio protocol	IEEE 802.11b/g/n
Radio frequency channel	13ch
Output power	13 dBm
Effective radiated power	15 dBm (11b) / 14 dBm (11g) / 14 dBm (11n)
Power supply	DC 14 V / 100 mA

5.3.3 Setting the wireless LAN

The customer is responsible for providing:

- Smartphone or tablet with minimum supported version of Android or iOS, specified on <http://www.onlinecontroller.daikineurope.com>

- Internet line and communicating device, such as modem, router, etc.
- Wireless LAN access point.
- Installed free Daikin Residential Controller application.

To install the Daikin Residential Controller application

- 1** Open:
 - Google Play for appliances using Android.
 - App Store for appliances using iOS.
- 2** Search for Daikin Residential Controller.
- 3** Follow the directions on the screen to install.

6 Unit installation

In this chapter

6.1	Preparing the installation site	23
6.1.1	Installation site requirements of the indoor unit	23
6.2	Opening the indoor unit	25
6.2.1	To remove the front panel	25
6.2.2	To remove the front grille	25
6.2.3	To open the terminal block and remove the electrical wiring box cover	25
6.3	Mounting the indoor unit	26
6.3.1	To install the indoor unit	26
6.3.2	To drill a wall hole	31
6.3.3	To remove the slit portions	31
6.3.4	To provide drainage	32
6.4	Mounting the user interface	34
6.4.1	To mount the user interface holder	34

6.1 Preparing the installation site

Do NOT install the unit in places often used as work place. In case of construction works (e.g. grinding works) where a lot of dust is created, the unit MUST be covered.

Choose an installation location with sufficient space for carrying the unit in and out of the site.



WARNING

The appliance shall be stored in a room without continuously operating ignition sources (example: open flames, an operating gas appliance or an operating electric heater).

6.1.1 Installation site requirements of the indoor unit



INFORMATION

Also read the precautions and requirements in the "[2 General safety precautions](#)" [▶ 5].



INFORMATION

The sound pressure level is less than 70 dBA.



NOTICE

The equipment described in this manual may cause electronic noise generated from radio-frequency energy. The equipment complies to specifications that are designed to provide reasonable protection against such interference. However, there is no guarantee that interference will not occur in a particular installation.

It is therefore recommended to install the equipment and electric wires in such a way that they keep a proper distance from stereo equipment, personal computers, etc.

Install power cables at least 1 m away from televisions or radios to prevent interference. Depending on the radio waves, a distance of 1 m may not be sufficient.

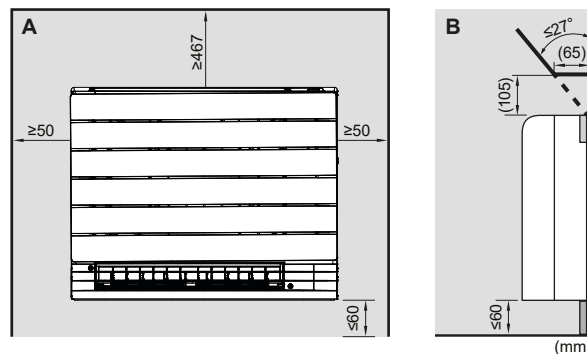
- **Fluorescent lights.** When installing a wireless user interface in a room with fluorescent lights, mind the following to avoid interference:
 - Install the wireless user interface as close as possible to the indoor unit.
 - Install the indoor unit as far as possible from the fluorescent lights.
- Take care that in the event of a water leak, water cannot cause any damage to the installation space and surroundings.
- Choose a location where the operation noise or the hot/cold air discharged from the unit will not disturb anyone.
- **Air flow.** Make sure nothing blocks the air flow.
- **Drainage.** Make sure condensation water can be evacuated properly.
- **Wall insulation.** When conditions in the wall exceed 30°C and a relative humidity of 80%, or when fresh air is inducted into the wall, then additional insulation is required (minimum 10 mm thickness, polyethylene foam).
- **Wall or floor strength.** Check whether the wall or the floor is strong enough to support the weight of the unit. If there is a risk, reinforce the wall or the floor before installing the unit.

Do NOT install the unit in the following places:

- In places where a mineral oil mist, spray or vapour may be present in the atmosphere. Plastic parts may deteriorate and fall off or cause water leakage.

It is NOT recommended to install the unit in the following places because it may shorten the life of the unit:

- Where the voltage fluctuates a lot
- In vehicles or vessels
- Where acidic or alkaline vapour is present
- In places where a mineral oil mist, spray or vapour may be present in the atmosphere. Plastic parts may deteriorate and fall off or cause water leakage.
- In places where the unit would be in the path of direct sunlight.
- In bathrooms.
- Sound sensitive areas (e.g. near a bedroom), so that the operation noise will cause no trouble.
- **Spacing.** Mind the following requirements:



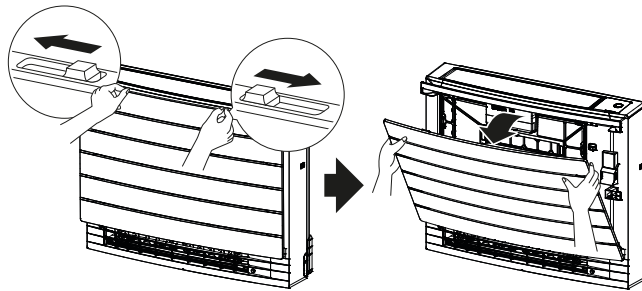
A Front view
B Side view

- Do not install the unit more than 60 mm above the floor.

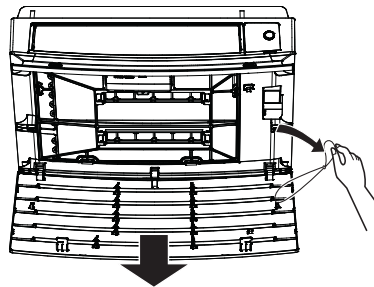
6.2 Opening the indoor unit

6.2.1 To remove the front panel

- 1 Slide both sliders in the direction of the arrows until they click.



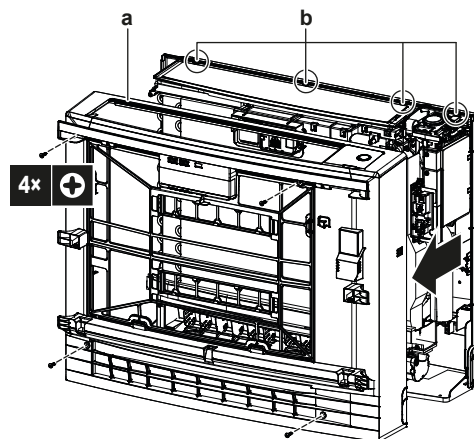
- 2 Open the front panel and undo the string.



- 3 Remove the front panel.

6.2.2 To remove the front grille

- 1 Remove the front panel. See "[6.2.1 To remove the front panel](#)" [[▶ 25](#)].
- 2 Remove the 4 screws, remove the grill from 4 tabs on the top and remove the front grille while pulling it toward you.



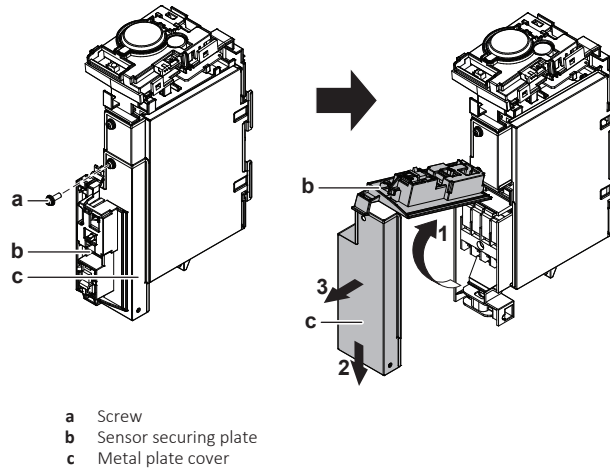
- a Front grille
b Tabs

6.2.3 To open the terminal block and remove the electrical wiring box cover

To open the terminal block

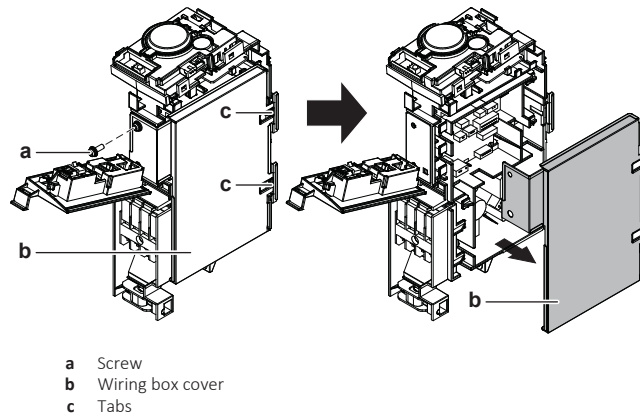
- 1 Remove the front grille.
- 2 Remove 1 lower screw.
- 3 Lift the sensor securing plate.

- 4 Move the metal plate cover down and then towards you to remove it.



To remove the electrical wiring box cover

- 1 Open the terminal block.
- 2 Remove 1 screw from the electrical wiring box.
- 3 Unhook the 2 tabs on the electrical wiring box cover and remove it.

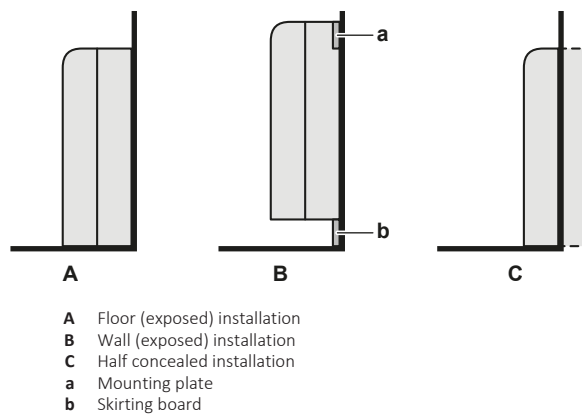


6.3 Mounting the indoor unit

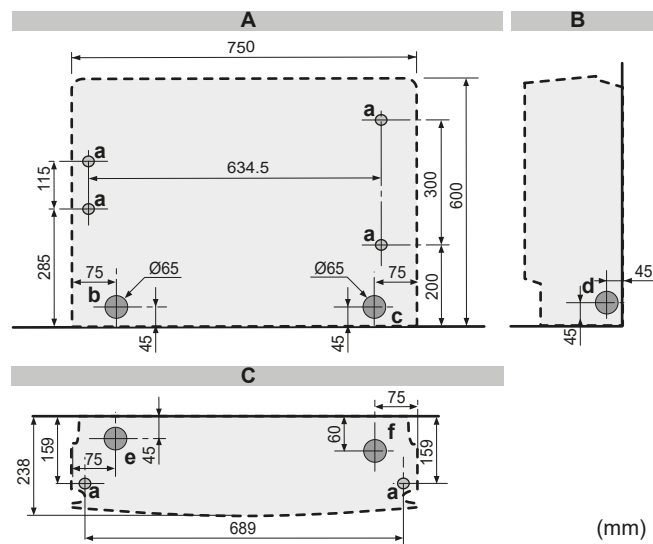
6.3.1 To install the indoor unit

Installation options

There are 3 possible type of installation for the indoor unit.



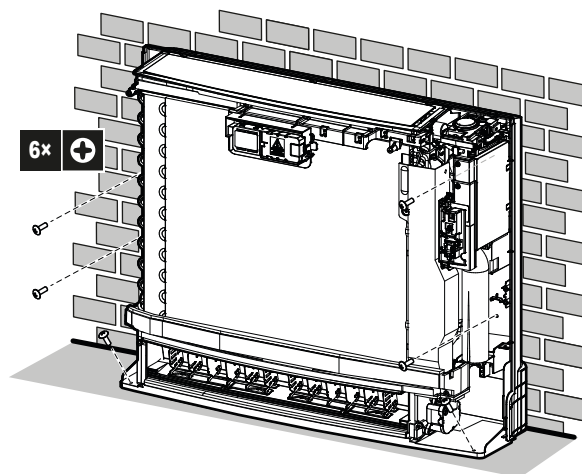
Floor-standing installation



6-1 Indoor unit installation drawing: Floor-standing installation

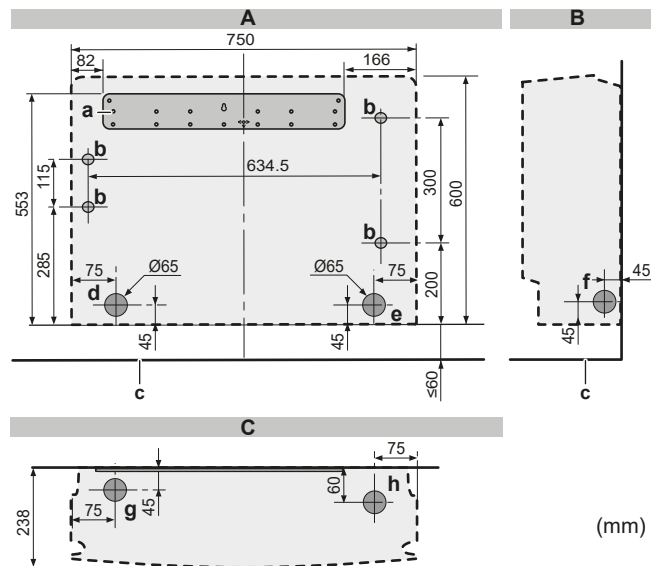
- A Front view
- B Side view
- C Top view
- a Screw hole 6x
- b Left-back piping hole location
- c Right-back piping hole location
- d Left/right piping hole location
- e Left-bottom piping hole location
- f Right-bottom piping hole location

- 1 Drill a wall hole, depending on which side piping is taken out. See "6.3.2 To drill a wall hole" [▶ 31].
- 2 Open the front panel and remove the front grille (see "6.2 Opening the indoor unit" [▶ 25]).
- 3 Remove the slit portions using nippers. See "6.3.3 To remove the slit portions" [▶ 31].
- 4 Secure the unit to the wall and floor using 6 screws M4×25L (field supply).



- 5 When the complete installation is finished, attach the front panel and the front grille in their original position.

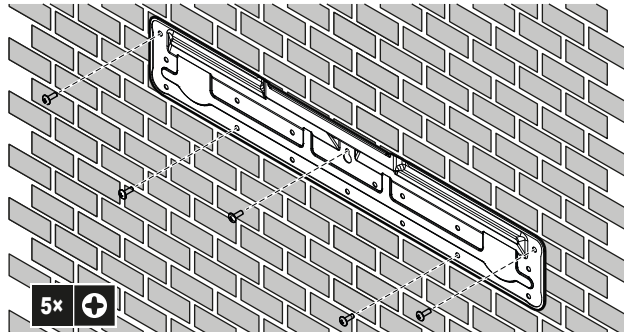
Wall-mounted installation



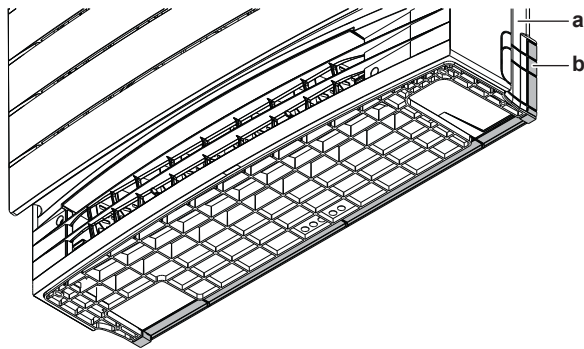
6-2 Indoor unit installation drawing: Wall-mounted installation

- A Front view
- B Side view
- C Top view
- a Mounting plate
- b Screw hole 4x
- c Floor
- d Left-back piping hole location
- e Right-back piping hole location
- f Left/right piping hole location
- g Left-bottom piping hole location
- h Right-bottom piping hole location


- 6 Temporarily secure the mounting plate on the wall.
- 7 Make sure the mounting plate is level.
- 8 Mark the centres of the drilling points on the wall.
- 9 Secure the mounting plate on the wall using 5 screws M4×25L (field supply).

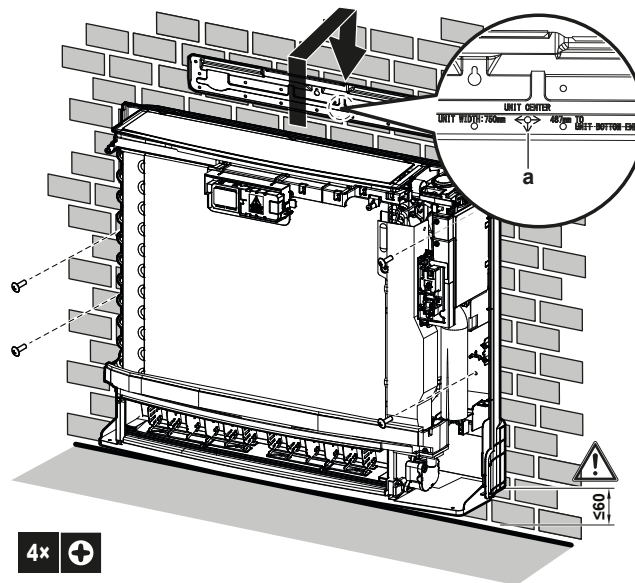


- 10 Drill a wall hole, depending on which side piping is taken out. See "6.3.2 To drill a wall hole" [▶ 31].
- 11 Open the front panel and remove the front grille (see "6.2 Opening the indoor unit" [▶ 25]).
- 12 Remove the slit portions using nippers. See "6.3.3 To remove the slit portions" [▶ 31].
- 13 If necessary for the skirting board, remove the slit portion on the bottom frame.



- a Bottom frame
- b Slit portion

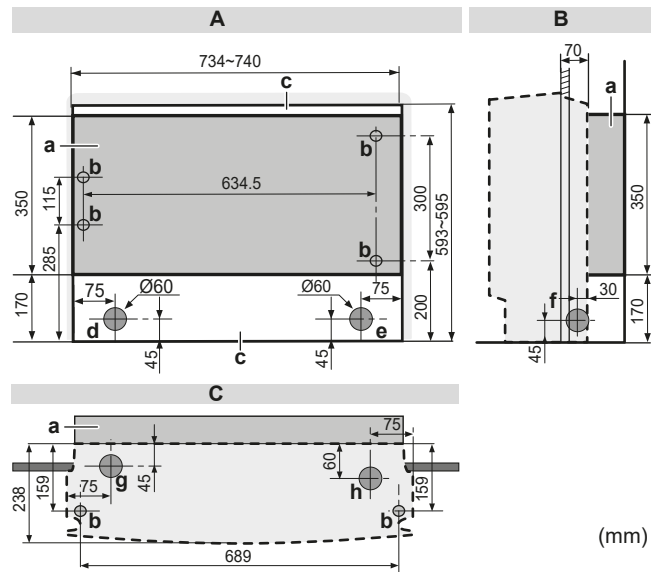
- 14 Align the unit using the alignment symbol  on the mounting plate: 375 mm from the alignment symbol to the each side (unit width 750 mm), 487 mm from the alignment symbol to the bottom of the unit.
- 15 Hook the unit on the mounting plate and secure the unit to the wall using 4 screws M4×25L (field supply).



- a Alignment symbol

- 16 When the complete installation is finished, attach the front panel and the front grille in their original position.

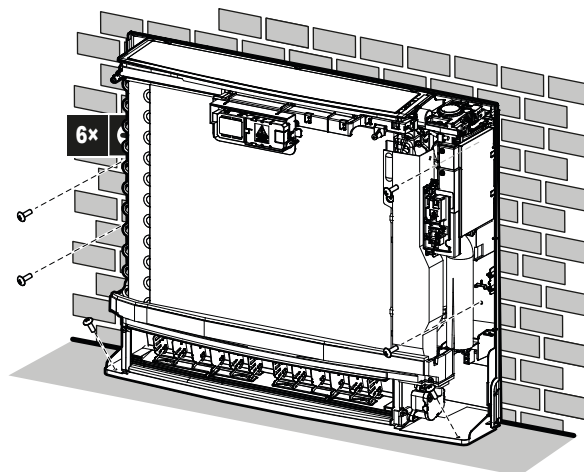
Half-concealed installation



6-3 Indoor unit installation drawing: Half-concealed installation

- A Front view
- B Side view
- C Top view
- a Extra filler board
- b Screw hole 6×
- c Hole
- d Left-back piping hole location
- e Right-back piping hole location
- f Right/left piping hole location
- g Left-bottom piping hole location
- h Right-bottom piping hole location

- 17 Make a hole in the wall as illustrated above.
- 18 Install the extra filler board (field supply) in accordance with the space between the unit and the wall. Make sure there is no gap between the unit and the wall.
- 19 Drill a wall hole, depending on which side piping is taken out. See "6.3.2 To drill a wall hole" [▶ 31].
- 20 Remove the slit portions using nippers. See "6.3.3 To remove the slit portions" [▶ 31].
- 21 Open the front panel, remove the front grille, remove the top and side casings (see "6.2 Opening the indoor unit" [▶ 25]).
- 22 Secure the unit to the extra filler board and to the floor using 6 screws M4×25L (field supply).



- 23** When the complete installation is finished, attach the front panel and the front grille in their original position.

6.3.2 To drill a wall hole



CAUTION

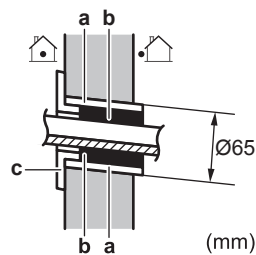
For walls containing a metal frame or a metal board, use a wall embedded pipe and wall cover in the feed-through hole to prevent possible heat, electrical shock, or fire.



NOTICE

Be sure to seal the gaps around the pipes with sealing material (field supply), in order to prevent water leakage.

- 1** Bore a 65 mm large feed-through hole in the wall with a downward slope towards the outside.
- 2** Insert a wall embedded pipe into the hole.
- 3** Insert a wall cover into the wall pipe.

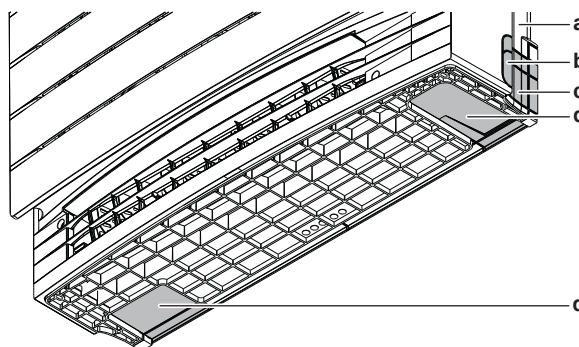


- a** Wall embedded pipe
- b** Putty
- c** Wall hole cover

- 4** After completing wiring, refrigerant piping and drain piping, do NOT forget to seal the gap with putty.

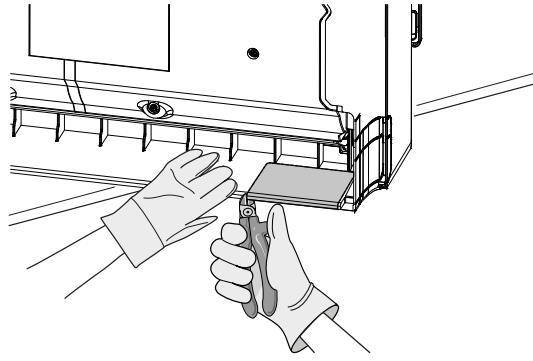
6.3.3 To remove the slit portions

For side piping (left/right) and bottom piping (left/right) slit portions must be removed. Remove slit portions according to where the piping is taken out.

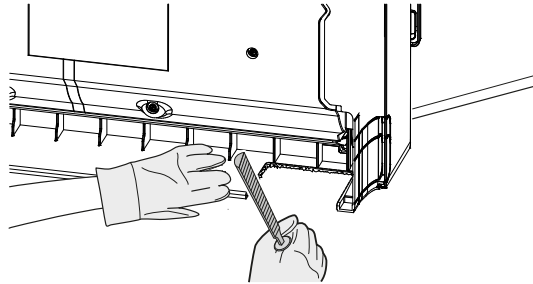


- a** Bottom frame
- b** Slit portion for side piping on the front grille (same on the other side)
- c** Slit portion for side piping on the bottom frame (same of the other side)
- d** Slit portion for the bottom piping

- 1** Cut off the slit portion using nippers.



- 2 Remove any burrs along the cut section using a half round needle file.



6.3.4 To provide drainage

Make sure condensation water can be evacuated properly. This involves:

- General guidelines
- Connecting the drain piping to the indoor unit
- Checking for water leaks

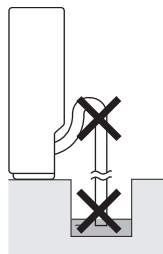
General guidelines

- **Pipe length.** Keep drain piping as short as possible. Minimum is 3 m.
- **Pipe size.** Use rigid polyvinyl chloride pipe with 20 mm nominal diameter and 26 mm outer diameter.



NOTICE

- Install the drain hose with a downward slope.
- Traps are NOT permitted.
- Do NOT put the end of the hose in water.



- **Drain hose.** Drain hose (accessory) is 220 mm long and with 18 mm outer diameter on the connecting side.
- **Extension hose.** Use rigid polyvinyl chloride pipe (field supply) with 20 mm nominal diameter as extension hose. When connecting an extension hose, use a polyvinyl adhesive agent for glueing.

- **Condensation.** Take measures against condensation. Insulate the complete drain piping in the building.

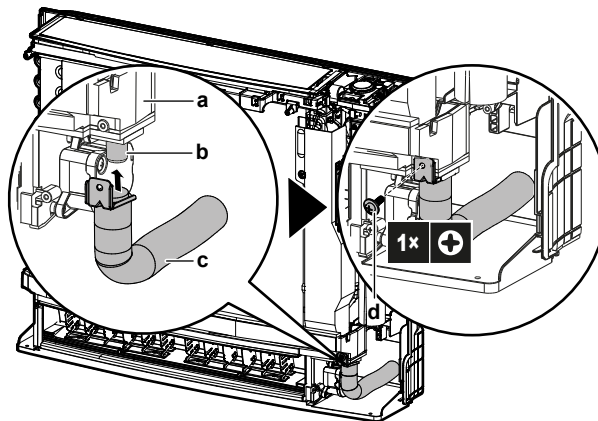
To connect the drain piping to the indoor unit



NOTICE

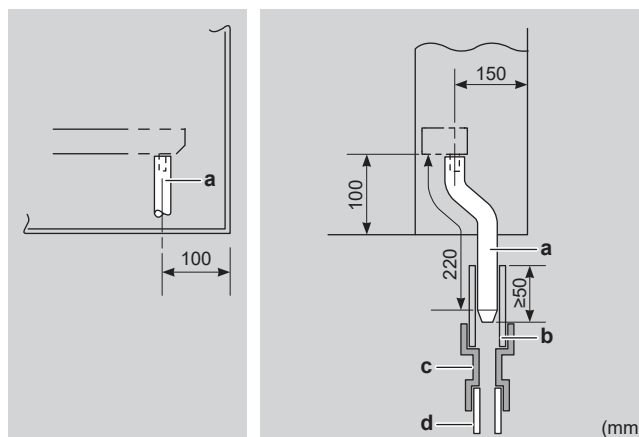
Incorrect connection of the drain hose might cause leaks, and damage the installation space and surroundings.

- 1 Push the drain hose (accessory) as far as possible over the drain socket and fix it with 1 screw (accessory).



- a Drain pan
- b Drain socket
- c Drain hose (accessory)
- d Screw (accessory)

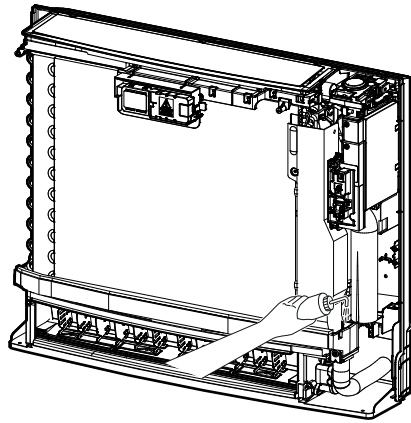
- 2 Check for water leaks (see "[To check for water leaks](#)" [▶ 33]).
- 3 Insulate the indoor drain socket and drain hose with ≥ 10 mm insulation material to prevent condensation.
- 4 Connect the drain piping to the drain hose. Insert the drain hose ≥ 50 mm, so it will not be pulled out of the drain pipe.



- a Drain hose (accessory)
- b Vinyl chloride drain pipe (VP-30) (field supply)
- c Reducer (field supply)
- d Vinyl chloride drain pipe (VP-20) (field supply)

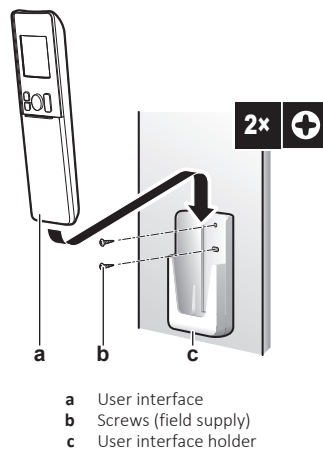
To check for water leaks

- 1 Remove the air filters.
- 2 Gradually pour approximately 1 l of water in the drain pan, and check for water leaks.



6.4 Mounting the user interface

6.4.1 To mount the user interface holder



- 1 Choose a place where the signal can reach the unit.
- 2 Fix the user interface holder (accessory) to the wall or a similar location using 2 M3×20L screws (field supply).
- 3 Insert the user interface into the user interface holder.

7 Piping installation

In this chapter

7.1	Preparing refrigerant piping	35
7.1.1	Refrigerant piping requirements	35
7.1.2	Refrigerant piping insulation	36
7.2	Connecting the refrigerant piping	36
7.2.1	About connecting the refrigerant piping	36
7.2.2	Precautions when connecting the refrigerant piping	36
7.2.3	Guidelines when connecting the refrigerant piping	37
7.2.4	Pipe bending guidelines	38
7.2.5	To flare the pipe end	38
7.2.6	To connect the refrigerant piping to the indoor unit	39

7.1 Preparing refrigerant piping

7.1.1 Refrigerant piping requirements



INFORMATION

Also read the precautions and requirements in the "2 General safety precautions" [▶ 5].



NOTICE

The piping and other pressure-containing parts shall be suitable for refrigerant. Use phosphoric acid deoxidised seamless copper for refrigerant.



INFORMATION

Additional refrigerant charge is NOT allowed in case of combination of the outdoor unit **3MXM40N8** or **3MXM52N8** with the indoor units **CVXM-A** and/or **FVXM-A**. The total piping length MUST be ≤30 m.

- Foreign materials inside pipes (including oils for fabrication) must be ≤30 mg/10 m.

Refrigerant piping diameter

Use the same diameters as the connections on the outdoor units:

Class	Pipe outer diameter (mm)	
	Liquid piping	Gas piping
25+35	Ø6.4	Ø9.5
50	Ø6.4	Ø12.7

Refrigerant piping material

- Piping material:** Phosphoric acid deoxidised seamless copper.
- Piping temper grade and thickness:**

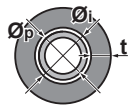
Outer diameter (Ø)	Temper grade	Thickness (t) ^(a)	
6.4 mm (1/4")	Annealed (O)	≥0.8 mm	
9.5 mm (3/8")			
12.7 mm (1/2")			

^(a) Depending on the applicable legislation and the maximum working pressure of the unit (see "PS High" on the unit name plate), larger piping thickness might be required.

7.1.2 Refrigerant piping insulation

- Use polyethylene foam as insulation material:
 - with a heat transfer rate between 0.041 and 0.052 W/mK (0.035 and 0.045 kcal/mh°C)
 - with a heat resistance of at least 120°C
- Insulation thickness

Pipe outer diameter (ϕ_p)	Insulation inner diameter (ϕ_i)	Insulation thickness (t)
6.4 mm (1/4")	8~10 mm	≥10 mm
9.5 mm (3/8")	12~15 mm	≥13 mm
12.7 mm (1/2")	14~16 mm	≥13 mm



If the temperature is higher than 30°C and the humidity is higher than RH 80%, the thickness of the insulation materials should be at least 20 mm to prevent condensation on the surface of the insulation.

7.2 Connecting the refrigerant piping

7.2.1 About connecting the refrigerant piping

Before connecting the refrigerant piping

Make sure the outdoor and indoor unit are mounted.

Typical workflow

Connecting the refrigerant piping involves:

- Connecting the refrigerant piping to the indoor unit
- Connecting the refrigerant piping to the outdoor unit
- Insulating the refrigerant piping
- Keeping in mind the guidelines for:
 - Pipe bending
 - Flaring pipe ends
 - Using the stop valves

7.2.2 Precautions when connecting the refrigerant piping



INFORMATION

Also read the precautions and requirements in the following chapters:

- General safety precautions
- Preparation



DANGER: RISK OF BURNING/SCALDING



CAUTION

- Use the flare nut fixed to the unit.
- To prevent gas leakage, apply refrigeration oil only to the inside of the flare. Use refrigeration oil for R32.
- Do NOT reuse joints.



CAUTION

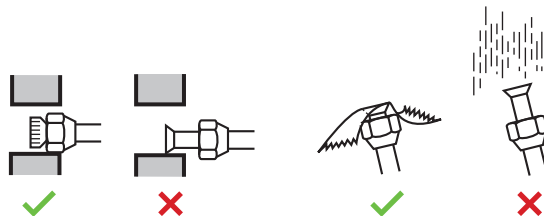
- Do NOT use mineral oil on flared part.
- NEVER install a drier to this R32 unit to guarantee its lifetime. The drying material may dissolve and damage the system.



NOTICE

Take the following precautions on refrigerant piping into account:

- Avoid anything but the designated refrigerant to get mixed into the refrigerant cycle (e.g. air).
- Only use R32 when adding refrigerant.
- Only use installation tools (e.g. manifold gauge set) that are exclusively used for R32 installations to withstand the pressure and to prevent foreign materials (e.g. mineral oils and moisture) from mixing into the system.
- Install the piping so that the flare is NOT subjected to mechanical stress.
- Protect the piping as described in the following table to prevent dirt, liquid or dust from entering the piping.
- Use caution when passing copper tubes through walls (see figure below).



Unit	Installation period	Protection method
Outdoor unit	>1 month	Pinch the pipe
	<1 month	Pinch or tape the pipe
Indoor unit	Regardless of the period	



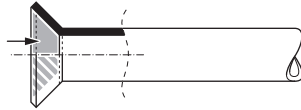
INFORMATION

Do NOT open the refrigerant stop valve before checking the refrigerant piping. When you need to charge additional refrigerant it is recommended to open the refrigerant stop valve after charging.

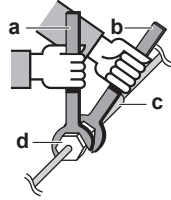
7.2.3 Guidelines when connecting the refrigerant piping

Take the following guidelines into account when connecting pipes:

- Coat the flare inner surface with ether oil or ester oil when connecting a flare nut. Tighten 3 or 4 turns by hand, before tightening firmly.



- ALWAYS use 2 wrenches together when loosening a flare nut.
- ALWAYS use a spanner and torque wrench together to tighten the flare nut when connecting the piping. This to prevent nut cracking and leaks.



- a Torque wrench
- b Spanner
- c Piping union
- d Flare nut

Piping size (mm)	Tightening torque (N•m)	Flare dimensions (A) (mm)	Flare shape (mm)
Ø6.4	15~17	8.7~9.1	
Ø9.5	33~39	12.8~13.2	
Ø12.7	50~60	16.2~16.6	

7.2.4 Pipe bending guidelines

Use a pipe bender for bending. All pipe bends should be as gentle as possible (bending radius should be 30~40 mm or larger).

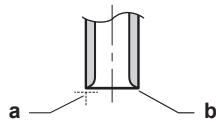
7.2.5 To flare the pipe end



CAUTION

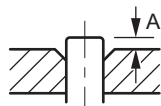
- Incomplete flaring may cause refrigerant gas leakage.
- Do NOT re-use flares. Use new flares to prevent refrigerant gas leakage.
- Use flare nuts that are included with the unit. Using different flare nuts may cause refrigerant gas leakage.

- 1 Cut the pipe end with a pipe cutter.
- 2 Remove burrs with the cut surface facing down so that the chips do NOT enter the pipe.



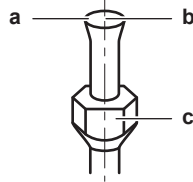
- a Cut exactly at right angles.
- b Remove burrs.

- 3 Remove the flare nut from the stop valve and put the flare nut on the pipe.
- 4 Flare the pipe. Set exactly at the position as shown in the following figure.



	Flare tool for R32 (clutch type)	Conventional flare tool	
		Clutch type (Rigid-type)	Wing nut type (Imperial-type)
A	0~0.5 mm	1.0~1.5 mm	1.5~2.0 mm

5 Check that the flaring is properly made.



- a Flare's inner surface MUST be flawless.
- b The pipe end MUST be evenly flared in a perfect circle.
- c Make sure the flare nut is fitted.

7.2.6 To connect the refrigerant piping to the indoor unit

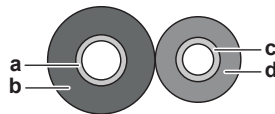


WARNING: MILDLY FLAMMABLE MATERIAL

The refrigerant inside this unit is mildly flammable.

▪ **Pipe length.** Keep refrigerant piping as short as possible. Minimum is 3 m.

- 1 Connect refrigerant piping to the unit using **flare connections**.
- 2 **Insulate** the refrigerant piping on the indoor unit as follows:



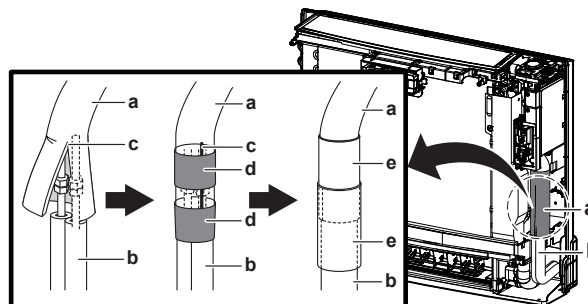
- a Gas pipe
- b Gas pipe insulation
- c Liquid pipe
- d Liquid pipe insulation



NOTICE

Make sure to insulate all refrigerant piping. Any exposed piping might cause condensation.

- 3 Close the slit on the refrigerant pipe connection and secure it with a tape (field supply). Make sure there are no gaps.
- 4 Wrap the slit and the end of the insulation of the connected refrigerant piping with insulation piece (accessory). Make sure there are no gaps.



- a Refrigerant pipe connection
- b Refrigerant piping (field supply)
- c Slit
- d Tape
- e Insulation piece (accessory)

8 Electrical installation

In this chapter

8.1	About connecting the electrical wiring	40
8.1.1	Precautions when connecting the electrical wiring	40
8.1.2	Guidelines when connecting the electrical wiring	41
8.1.3	Specifications of standard wiring components	42
8.2	To connect the electrical wiring to the indoor unit	42
8.3	To connect optional accessories (wired user interface, central user interface, wireless adapter, etc.).....	43

8.1 About connecting the electrical wiring

Typical workflow

Connecting the electrical wiring typically consists of the following stages:

- 1 Making sure the power supply system complies with the electrical specifications of the units.
- 2 Connecting the electrical wiring to the outdoor unit.
- 3 Connecting the electrical wiring to the indoor unit.
- 4 Connecting the main power supply.

8.1.1 Precautions when connecting the electrical wiring



DANGER: RISK OF ELECTROCUTION



WARNING

ALWAYS use multicore cable for power supply cables.



INFORMATION

Also read the precautions and requirements in the "[2 General safety precautions](#)" [[▶ 5](#)].



INFORMATION

Also read "[8.1.3 Specifications of standard wiring components](#)" [[▶ 42](#)].



WARNING

- All wiring **MUST** be performed by an authorised electrician and **MUST** comply with the applicable legislation.
- Make electrical connections to the fixed wiring.
- All components procured on-site and all electrical construction **MUST** comply with the applicable legislation.

**WARNING**

- If the power supply has a missing or wrong N-phase, equipment might break down.
- Establish proper earthing. Do NOT earth the unit to a utility pipe, surge absorber, or telephone earth. Incomplete earthing may cause electrical shock.
- Install the required fuses or circuit breakers.
- Secure the electrical wiring with cable ties so that the cables do NOT come in contact with sharp edges or piping, particularly on the high-pressure side.
- Do NOT use taped wires, stranded conductor wires, extension cords, or connections from a star system. They can cause overheating, electrical shock or fire.
- Do NOT install a phase advancing capacitor, because this unit is equipped with an inverter. A phase advancing capacitor will reduce performance and may cause accidents.

**WARNING**

Use an all-pole disconnection type breaker with at least 3 mm between the contact point gaps that provide full disconnection under overvoltage category III.

**WARNING**

If the supply cord is damaged, it MUST be replaced by the manufacturer, its service agent or similarly qualified persons in order to avoid a hazard.

**WARNING**

Do NOT connect the power supply to the indoor unit. This could result in electrical shock or fire.

**WARNING**

- Do NOT use locally purchased electrical parts inside the product.
- Do NOT branch the power supply for the drain pump, etc. from the terminal block. This could result in electrical shock or fire.

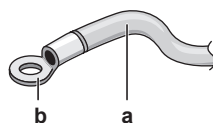
**WARNING**

Keep the interconnection wiring away from copper pipes without thermal insulation as such pipes will be very hot.

8.1.2 Guidelines when connecting the electrical wiring

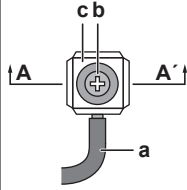
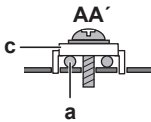
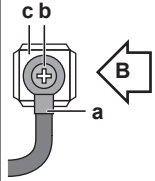
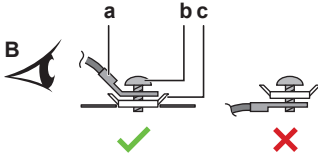
Keep the following in mind:

- If stranded conductor wires are used, install a round crimp-style terminal on the end of the wire. Place the round crimp-style terminal on the wire up to the covered part and fasten the terminal with the appropriate tool.

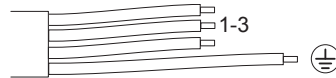


a Stranded conductor wire
b Round crimp-style terminal

- Use the following methods for installing wires:

Wire type	Installation method
Single-core wire	  <p>a Curled single-core wire b Screw c Flat washer</p>
Stranded conductor wire with round crimp-style terminal	  <p>a Terminal b Screw c Flat washer ✓ Allowed ✗ NOT allowed</p>

- The earth wire between the wire retainer and the terminal must be longer than the other wires.

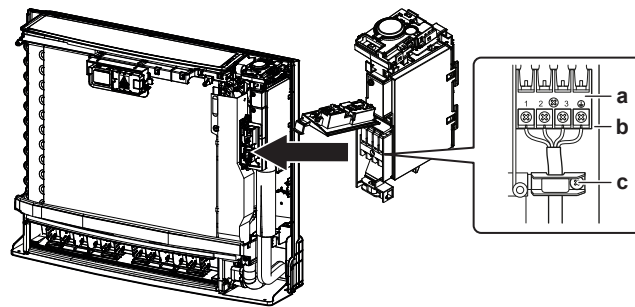


8.1.3 Specifications of standard wiring components

Component	
Interconnection cable (indoor↔outdoor)	4-core cable 1.5 mm ² ~2.5 mm ² and applicable for 220~240 V H05RN-F (60245 IEC 57)

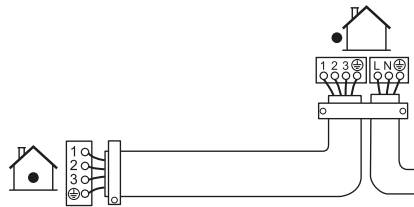
8.2 To connect the electrical wiring to the indoor unit

- Open the terminal block. See "6.2 Opening the indoor unit" [▶ 25].
- Strip the wire ends approximately 15 mm.
- Match wire colours with terminal numbers on indoor and outdoor unit's terminal blocks and firmly screw wires to the corresponding terminals.
- Connect the earth wires to the corresponding terminals.



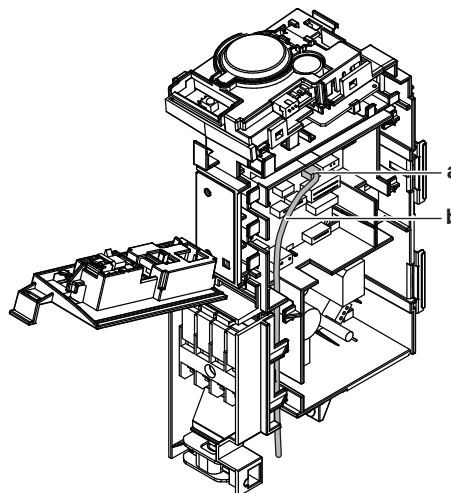
- a Terminal block
- b Electrical component block
- c Cable clamp

- 5 Pull the wires to make sure that they are securely attached, then retain the wires with the cable clamp.
- 6 Make sure that the wires do not come in contact with the metal parts of the heat exchanger.
- 7 In case of connecting to an optional adapter, see "8.3 To connect optional accessories (wired user interface, central user interface, wireless adapter, etc.)" [▶ 43].



8.3 To connect optional accessories (wired user interface, central user interface, wireless adapter, etc.)

- 1 Remove the electrical wiring box cover. See "6.2 Opening the indoor unit" [▶ 25].
- 2 Connect the optional adapter wire to the S21 connector. To connect the optional adapter wire to the option, refer to the installation manual of the optional adapter.
- 3 Lead the wire as shown in the figure below.



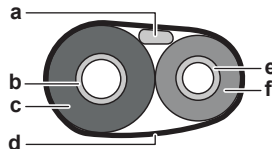
- a S21connector
- B Optional adapter wire

- 4 Close the electrical wiring box cover. See ["9.2 To close the indoor unit" \[▶ 45\]](#).

9 Finishing the indoor unit installation

9.1 To finish the indoor unit installation

- 1 After the drain piping, refrigerant piping and the electrical wiring are finished. Wrap the refrigerant pipes and the interconnection cable with insulation tape. Overlap at least half the width of the tape with each turn.



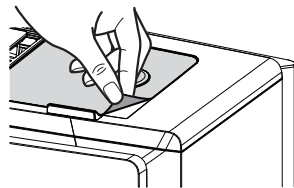
- a Interconnection cable
- b Gas pipe
- c Gas pipe insulation
- d Insulation tape
- e Liquid pipe
- f Liquid pipe insulation

- 2 Pass the pipes through the wall hole and seal the gaps with putty.
- 3 Remove the protection foil from the Daikin eye.



INFORMATION

Be careful when removing the protection foil to avoid damage of the sticker under it.



9.2 To close the indoor unit

9.2.1 To close the electrical wiring box and close the terminal block

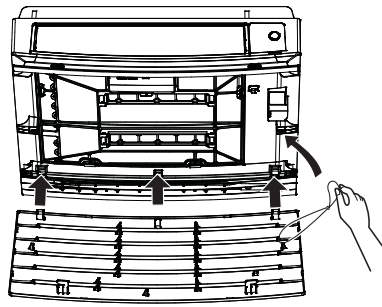
- 1 Hook the electrical wiring box onto the 2 tabs, close it, and fix it with 1 screw.
- 2 Attach the front metal cover and fix it with the screw.
- 3 Close the sensor securing plate.

9.2.2 To re-install the front grille

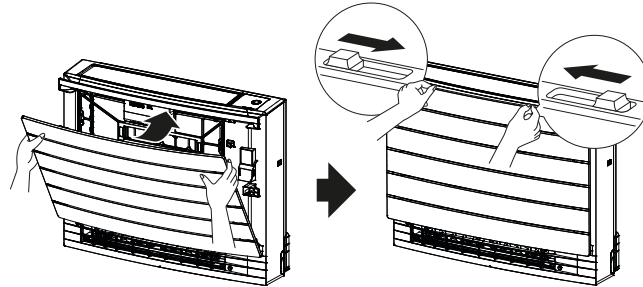
- 1 Attach the front grille to the original position.
- 2 Secure the front grille with the 4 screws and 4 tabs.

9.2.3 To re-install the front panel

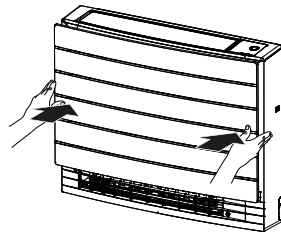
- 1 Insert the front panel into the grooves of the unit (3 places) and attach the string.



- 2 Close the front panel and slide both sliders until they click.



- 3 Push on the sides of the front panel to make sure the front panel is securely fixed.



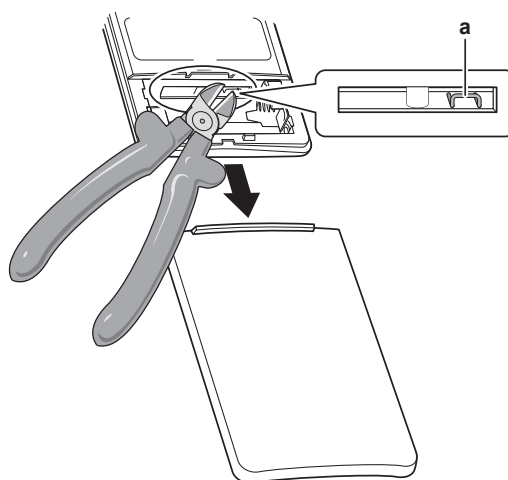
10 Configuration

10.1 To set a different address

In case 2 indoor units are installed in 1 room, different addresses for 2 user interfaces can be set.

- 1 Remove the cover and the batteries from the user interface.
- 2 Cut the address jumper J4.

Address jumper J4	Address
Factory setting	1
After cutting with nippers	2

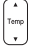
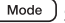
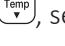




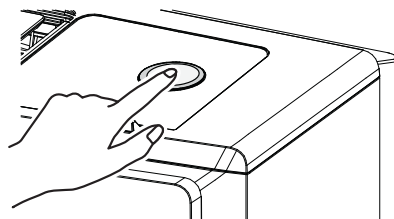
a Address jumper J4



NOTICE

Be careful NOT to damage any of the surrounding parts when cutting the address jumper.

- 3 Turn the power supply on.
 - 4 Press the middle of  and  simultaneously.
 - 5 Press , select  and press .
- Result:** The Daikin eye will start to blink.
- 6 Press the indoor unit ON/OFF switch while the Daikin eye is blinking.



INFORMATION

If the setting could NOT be completed while the Daikin eye was blinking, repeat the setting process from the beginning.

7 When the setting is complete, press .

Result: The user interface will return to the home screen.

11 Commissioning

11.1 Overview: Commissioning

This chapter describes what you have to do and know to commission the system after it is installed.

Typical workflow

Commissioning typically consists of the following stages:

- 1 Checking the "Checklist before commissioning".
- 2 Performing a test run for the system.

11.2 Checklist before commissioning

After the installation of the unit, first check the items listed below. Once all checks are fulfilled, the unit must be closed. Power-up the unit after it is closed.

<input type="checkbox"/>	You read the complete installation instructions, as described in the installer reference guide .
<input type="checkbox"/>	The indoor units are properly mounted.
<input type="checkbox"/>	The outdoor unit is properly mounted.
<input type="checkbox"/>	Air inlet/outlet Check that the air inlet and outlet of the unit is NOT obstructed by paper sheets, cardboard, or any other material.
<input type="checkbox"/>	There are NO missing phases or reversed phases .
<input type="checkbox"/>	The refrigerant pipes (gas and liquid) are thermally insulated.
<input type="checkbox"/>	Drainage Make sure drainage flows smoothly. Possible consequence: Condensate water might drip.
<input type="checkbox"/>	The system is properly earthed and the earth terminals are tightened.
<input type="checkbox"/>	The fuses or locally installed protection devices are installed according to this document, and have NOT been bypassed.
<input type="checkbox"/>	The power supply voltage matches the voltage on the identification label of the unit.
<input type="checkbox"/>	The specified wires are used for the interconnection cable .
<input type="checkbox"/>	The indoor unit receives the signals of the user interface .
<input type="checkbox"/>	There are NO loose connections or damaged electrical components in the switch box.
<input type="checkbox"/>	The insulation resistance of the compressor is OK.
<input type="checkbox"/>	There are NO damaged components or squeezed pipes on the inside of the indoor and outdoor units.
<input type="checkbox"/>	There are NO refrigerant leaks .
<input type="checkbox"/>	The correct pipe size is installed and the pipes are properly insulated.



The **stop valves** (gas and liquid) on the outdoor unit are fully open.

11.3 To perform a test run


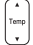


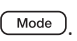
Prerequisite: Power supply MUST be in the specified range.

Prerequisite: Test run may be performed in cooling or heating mode.

Prerequisite: Test run should be performed in accordance with the operation manual of the indoor unit to make sure that all functions and parts are working properly.

- 1 In cooling mode, select the lowest programmable temperature. In heating mode, select the highest programmable temperature. Test run can be disabled if necessary.
- 2 When the test run is finished, set the temperature to a normal level. In cooling mode: 26~28°C, in heating mode: 20~24°C.
- 3 The system stops operating 3 minutes after the unit is turned OFF.

11.3.1 To perform a test run using the user interface

- 1 Press  to switch the system on.
- 2 Press the middle of  and  simultaneously.
- 3 Press  twice to choose **TR** and confirm selection by pressing .

Result: **TR** on the display indicates that the test run is selected. Test run operation will stop automatically after about 30 minutes.

- 4 To stop operation sooner, press the ON/OFF button.

12 Hand-over to the user

Once the test run is finished and the unit operates properly, please make sure the following is clear for the user:

- Make sure that the user has the printed documentation and ask him/her to keep it for future reference. Inform the user that he can find the complete documentation at the URL mentioned earlier in this manual.
- Explain the user how to properly operate the system and what to do in case of problems.
- Show the user what to do for the maintenance of the unit.

13 Disposal



NOTICE

Do NOT try to dismantle the system yourself: dismantling of the system, treatment of the refrigerant, oil and other parts **MUST** comply with applicable legislation. Units **MUST** be treated at a specialised treatment facility for reuse, recycling and recovery.

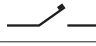

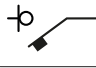
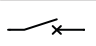



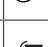

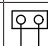
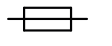
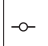







14 Technical data

- A **subset** of the latest technical data is available on the regional Daikin website (publicly accessible).
- The **full set** of latest technical data is available on the Daikin Business Portal (authentication required).

14.1 Wiring diagram

14.1.1 Unified wiring diagram legend

For applied parts and numbering, refer to the wiring diagram on the unit. Part numbering is by Arabic numbers in ascending order for each part and is represented in the overview below by "*" in the part code.

Symbol	Meaning	Symbol	Meaning
	Circuit breaker		Protective earth
			
			
	Connection		Protective earth (screw)
	Connector		Rectifier
	Earth		Relay connector
	Field wiring		Short-circuit connector
	Fuse		Terminal
	Indoor unit		Terminal strip
	Outdoor unit		Wire clamp
	Residual current device		

Symbol	Colour	Symbol	Colour
BLK	Black	ORG	Orange
BLU	Blue	PNK	Pink
BRN	Brown	PRP, PPL	Purple
GRN	Green	RED	Red
GRY	Grey	WHT	White
		YLW	Yellow

Symbol	Meaning
A*P	Printed circuit board
BS*	Pushbutton ON/OFF, operation switch
BZ, H*O	Buzzer
C*	Capacitor

Symbol	Meaning
AC*, CN*, E*, HA*, HE*, HL*, HN*, HR*, MR*_A, MR*_B, S*, U, V, W, X*A, K*R_*, NE	Connection, connector
D*, V*D	Diode
DB*	Diode bridge
DS*	DIP switch
E*H	Heater
FU*, F*U, (for characteristics, refer to PCB inside your unit)	Fuse
FG*	Connector (frame ground)
H*	Harness
H*P, LED*, V*L	Pilot lamp, light emitting diode
HAP	Light emitting diode (service monitor green)
HIGH VOLTAGE	High voltage
IES	Intelligent eye sensor
IPM*	Intelligent power module
K*R, KCR, KFR, KHuR, K*M	Magnetic relay
L	Live
L*	Coil
L*R	Reactor
M*	Stepper motor
M*C	Compressor motor
M*F	Fan motor
M*P	Drain pump motor
M*S	Swing motor
MR*, MRCW*, MRM*, MRN*	Magnetic relay
N	Neutral
n=*, N=*	Number of passes through ferrite core
PAM	Pulse-amplitude modulation
PCB*	Printed circuit board
PM*	Power module
PS	Switching power supply
PTC*	PTC thermistor
Q*	Insulated gate bipolar transistor (IGBT)
Q*C	Circuit breaker
Q*DI, KLM	Earth leak circuit breaker
Q*L	Overload protector

Symbol	Meaning
Q*M	Thermo switch
Q*R	Residual current device
R*	Resistor
R*T	Thermistor
RC	Receiver
S*C	Limit switch
S*L	Float switch
S*NG	Refrigerant leak detector
S*NPH	Pressure sensor (high)
S*NPL	Pressure sensor (low)
S*PH, HPS*	Pressure switch (high)
S*PL	Pressure switch (low)
S*T	Thermostat
S*RH	Humidity sensor
S*W, SW*	Operation switch
SA*, F1S	Surge arrester
SR*, WLU	Signal receiver
SS*	Selector switch
SHEET METAL	Terminal strip fixed plate
T*R	Transformer
TC, TRC	Transmitter
V*, R*V	Varistor
V*R	Diode bridge, Insulated-gate bipolar transistor (IGBT) power module
WRC	Wireless remote controller
X*	Terminal
X*M	Terminal strip (block)
Y*E	Electronic expansion valve coil
Y*R, Y*S	Reversing solenoid valve coil
Z*C	Ferrite core
ZF, Z*F	Noise filter

15 Glossary

Dealer

Sales distributor for the product.

Authorised installer

Technical skilled person who is qualified to install the product.

User

Person who is owner of the product and/or operates the product.

Applicable legislation

All international, European, national and local directives, laws, regulations and/or codes that are relevant and applicable for a certain product or domain.

Service company

Qualified company which can perform or coordinate the required service to the product.

Installation manual

Instruction manual specified for a certain product or application, explaining how to install, configure and maintain it.

Operation manual

Instruction manual specified for a certain product or application, explaining how to operate it.

Maintenance instructions

Instruction manual specified for a certain product or application, which explains (if relevant) how to install, configure, operate and/or maintain the product or application.

Accessories

Labels, manuals, information sheets and equipment that are delivered with the product and that need to be installed according to the instructions in the accompanying documentation.

Optional equipment

Equipment made or approved by Daikin that can be combined with the product according to the instructions in the accompanying documentation.

Field supply

Equipment NOT made by Daikin that can be combined with the product according to the instructions in the accompanying documentation.







ERC

DAIKIN INDUSTRIES CZECH REPUBLIC s.r.o.
U Nové Hospody 1/1155, 301 00 Plzeň Skvrňany, Czech Republic

DAIKIN EUROPE N.V.
Zandvoordestraat 300, B-8400 Oostende, Belgium

Copyright 2020 Daikin

4P625991-1A 2020.09